

COLLECTORS NO. 40076



Hepplewhite
Grandmother Clock

Massachusetts:
Circa 1800

The clock which ours was adapted from was made by John Bailey of Hanover, Massachusetts, at the beginning of the 19th Century. The case was possibly made by a local cabinetmaker since very rarely did the clockmaker build his own cabinets. The name Grandmother, or Grandfather Clock is a purely American designation for what the English called a Tall, or Long Case Clock. In England this clock would be classed as a miniature Tall Case Clock. The length of the case of a weight powered clock determined the length of time the clock would run without being rewound. A small clock such as this could be placed on a table, or base, or perhaps in a wall niche. It would have to be wound at least twice a day by pulling the weights back up to the top of the case. Many of these clocks, because of the effort involved in keeping them running, had the movements replaced with spring driven movements once they became available. Finding one with its original movement in place is considered a real find by collectors.

ASSEMBLY AND FINISHING INSTRUCTIONS



AUTHENTIC REPRODUCTIONS IN MINIATURE

The X-ACTO® HOUSE OF MINIATURES COLLECTORS SERIES of furniture and accessories have all been carefully researched by specialists through major museum and library collections to assure the highest quality of authenticity in reproduction. Details are extraordinarily accurate to satisfy the most discriminating miniaturist.

All wood parts are machined to assure accurate and precise acceptance of each piece by another.

For a complete catalog of the X-ACTO® HOUSE OF MINIATURES furniture line and accessories, write to:
THE HOUSE OF MINIATURES
Customer Service - Catalog Dept.
80 Newbridge Road
Bergenfield, NJ 07621

INTRODUCTION

BEFORE STARTING

Identify and account for each part by placing it on the Layout Sheet (make sure the correct layout sheet is used when working on multi-kit Instruction Sheets). Should any parts be missing, send a post card to:

THE HOUSE OF MINIATURES
Customer Service - Parts Dept.
2000 Craftmark Center
Statesville, NC 28677-2000

Please print Name, Address, Part Number (Number from Layout Sheet) and Kit Name and Number on card when ordering.

SANDING

Before assembly, sand all the outer surfaces of individual parts with 220 grit sandpaper, or finer, sanded in the same direction as the wood grain until the surface is smooth. Take care not to round any edges or corners of the pieces. Finish sanding with 280 grit sandpaper.

PRE-ASSEMBLY

A. After sanding, check the proper location and fit of each part by assembling parts loosely, without gluing. Use the **DETAIL VIEWS** as a guide.

B. All parts for X-ACTO kits are made on precision

milling machines. When adjustments are required, sand to fit.

TOOLS AND MATERIALS

A. The following tools will be helpful in constructing this kit:

1. 2" Sander, X-ACTO No. 7042
2. Large Clamp, X-ACTO No. 7004
3. Pin Vise, X-ACTO No. 7144
4. Tweezer, X-ACTO No. 7336
5. X-ACTO Professional Finishing Kit (or equivalent, see note)

B. The following materials will be needed to construct this kit:

1. X-ACTO Tinted Glue (see note)
2. Sandpaper - 220 and 280 grit
3. Small Artist's Brush

NOTE: The X-ACTO tinted glue is matched to the finish used in the Professional Finishing Kit. This will produce the authentic finish of the period in which the original furniture was produced. When not using X-ACTO glue follow manufacturer's directions.

GLUING

A. Glue should be applied in small amounts to surface being joined. When gluing dado joints apply glue to dado only.

B. To ensure a tight fit, squeeze excess glue out of the joints. Hold glued parts together with clamps, rubber bands or weights on the parts.

C. Wipe off excess glue promptly.

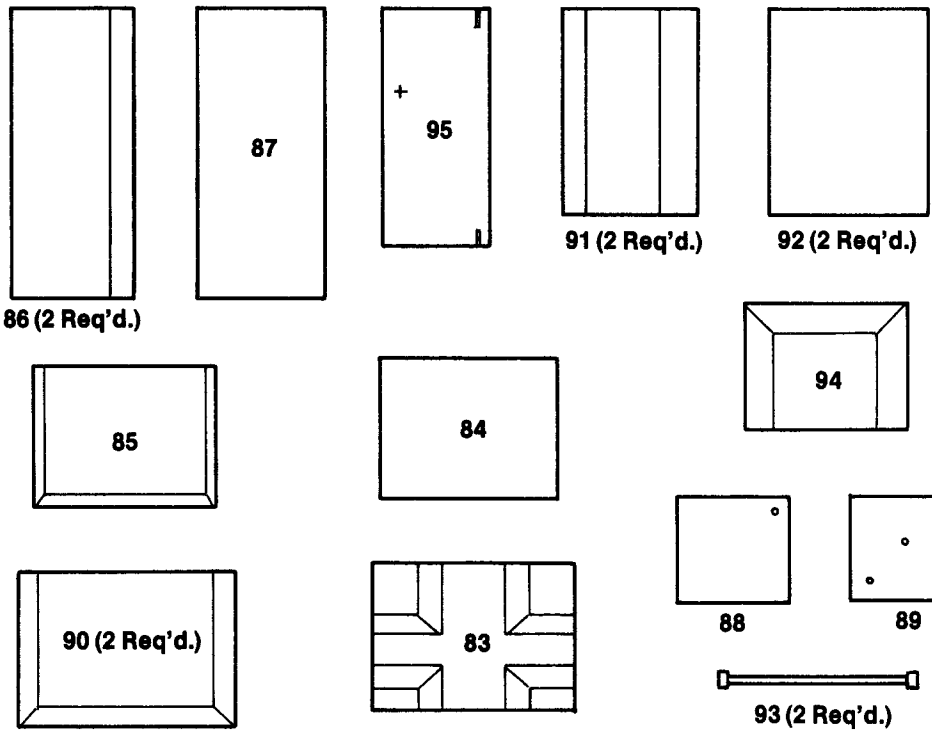
D. Be sure a glued assembly has dried thoroughly before adding parts.

FINISHING



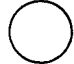
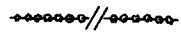
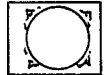

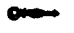
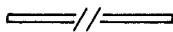
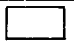

The X-ACTO Professional Finishing Kit enables you to finish your furniture by the same process used by the professional furniture maker. The end result is what is important — there are easier methods, but none that will give the quality results that this process will. If you use a finish other than X-ACTO's, refer to the manufacturer's directions.

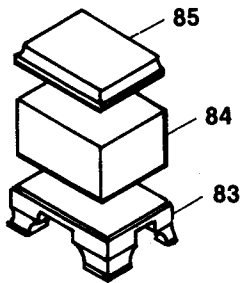
Layout Sheet

Kit 40076



HARDWARE

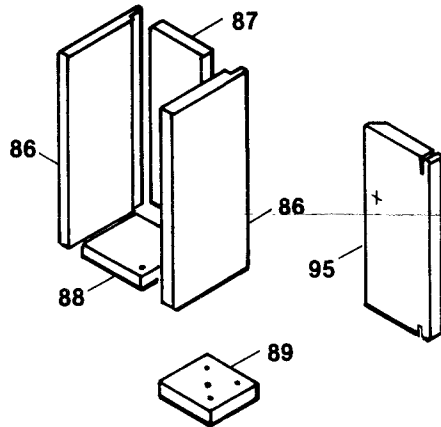
NO.	DESCRIPTION	QTY.
03		1
04		1
11		1
13		1
45		1
14		1
15		1
46		1
47		2
48		2



Step 1

A. Glue the base center (84) to the base (83) so that it is centered and flush at the rear.

B. Glue the base cap (85) on to the base center (84) so it is centered and flush at the rear.



Step 2

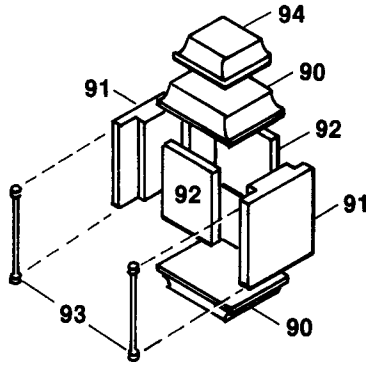
A. Glue the waist sides (86) to the back (87) so they are flush top and bottom. Glue the bottom hinge block (88) in so that the hinge pin hole is forward and to the right. The block should be flush with the bottom.

B. Glue the waist assembly to the base built in Step 1 so that it is centered and flush at the rear. Sand the entire back smooth.

C. Drill the hole for the knob in the door (95). Do not install the knob now. The base & waist assembly, the door (95), and the upper block (89) are now ready to be stained and finished.

Detail Views

Kit 40076



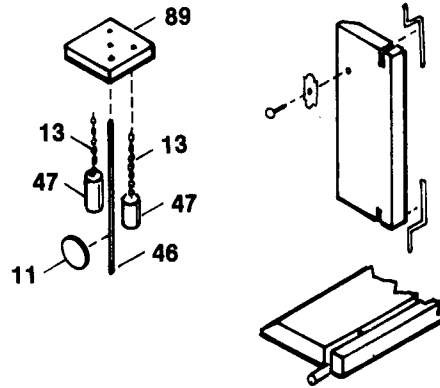
Step 3

A. Assemble the bonnet by gluing the front & back (92) into the rabbets of the sides (91) so that they are flush top & bottom. The deeper recessed face is the front of the bonnet.

B. Glue on the cap & base (90) so the center of the bonnet is centered and flush at the rear.

C. Glue the columns (93) to the front of the sides. Glue on the pediment (94) so it is centered and flush at the rear. Sand the rear of the bonnet smooth.

D. Apply the stain and final finish.



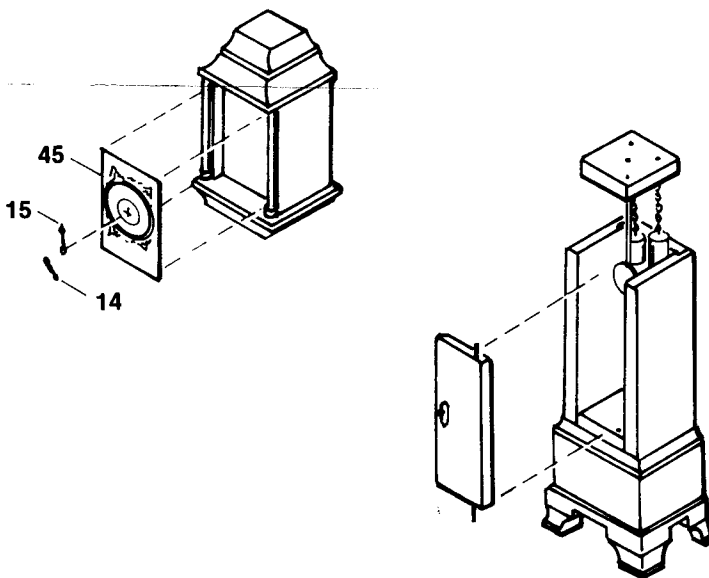
Step 4

(Note: Use white glue to install the hardware and to assemble the body of the clock.)

A. Cut the chain (13) into two lengths. Glue one end into the hole in the weight and the other end into hole at the rear of the block (89). The hinge pin hole should be forward and to the right.

B. Glue the pendulum (11) to the shaft (46) and then glue the shaft into the center hole of the block (89).

C. Glue the hinge pins into the groove on the door. The pins should be pressed into the grooves on the end. Install the knob and the escutcheon plate.



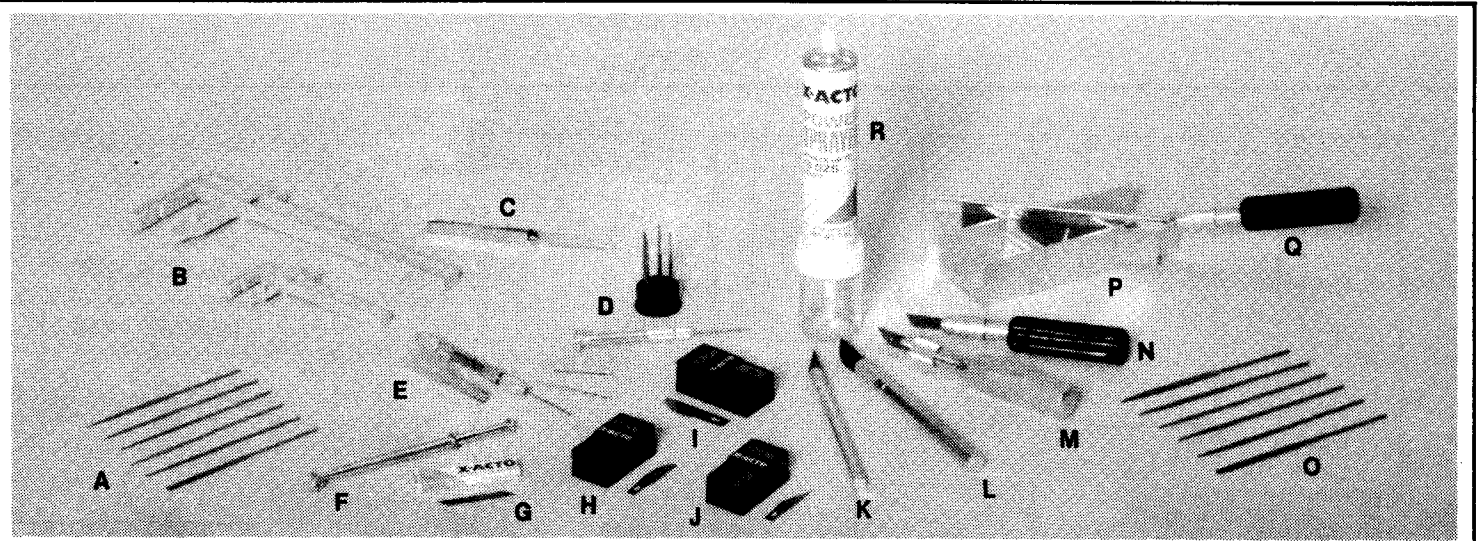
Step 5

A. Glue the clock face (45) in place. Remove the protective plastic before installing.

B. Glue the hands (14 & 15) in place. The hands may be mounted by drilling a hole in the face and using a small straight pin (not supplied) to mount them. Trim the pin so it doesn't go out through the back of the bonnet.

C. Install the door by placing the lower hinge pin into the hole in the lower block. Lower the upper block - with the weights and pendulum - down into the waist of the clock and engage the upper hinge pin. Glue the upper block in place so the top of it is flush with the top of the sides of the waist.

D. Glue the bonnet on to the base and waist assembly so that it is centered and flush at the back.



A. MINIATURE FILE SET

6 miniature needle files. 3 1/4" long. For intricate filing. Vinyl storage pouch. No. 7365

B. PLASTIC CLAMPS

Light duty plastic clamps for delicate work. Notched jaw allows grip of round parts. Smooth face prevents damage to workpiece.

Small plastic clamp. 3 1/4" opening with 1" throat depth.

2 per card: No. 7003

Large plastic clamp. 7 1/4" opening with 2 1/16" throat depth.

2 per card: No. 7004

C. SELF-CLOSING POINTED TWEEZER

Self-closing serrated points. Nickel-plated steel. 6 1/2."

Carded: No. 7337

D. SCREWDRIVER WITH INTERCHANGEABLE BLADES

Aluminum handle and chuck and 5 steel screwdriver blades sizes .040" through .100." Notched shank for greater torque. Storage base.

Carded: No. 7070

E. PIN VISE SET

Includes double-ended pin vise, vise bit guard and 3 assorted drill bits.

Carded: No. 7144

F. PARTPICKER

For small hard-to-handle pieces. Smooth one-handed action.

Carded: No. 7380

G. No. 13 BLADE

Precision saw cutting. 5 blades. Carded: No. 213

H. No. 10 BLADE

For fine general cutting, carving, correcting stencils.

Safety dispenser of 10 blades. Carded: No. 410

I. No. 22 BLADE

General shaping, whittling, trimming, removing excess flashing.

Safety dispenser of 10 blade. Carded: No. 422

J. No. 11 BLADE

Extremely sharp point for fine angle cutting and stripping.

Safety dispenser of 10 blades. Carded: No. 411

K. No. 1 KNIFE

Aluminum handle 4 7/8" long with No. 11 blade. Carded: No. 3201

L. No. 2 KNIFE

Aluminum handle 5" long with No. 22 blade. Carded: No. 3202

M. No. 6 KNIFE

Aluminum handle 4 3/4" long with No. 24 blade. Carded: No. 3206

N. No. 5 KNIFE

Plastic handle with metal blade lock, 4 1/4" long with No. 19 blade.

Carded: No. 3205

O. MINIATURE NEEDLE RASPS

6 assorted rasps. For rough shaping of wood or plastic.

4 3/4" long. Vinyl storage pouch. No. 7366

P. MITRE BOX

Aluminum 3/4" x 1 3/4" capacity. 6" long. With two 45° and one 90° cutting slots. Carded: No. 7533

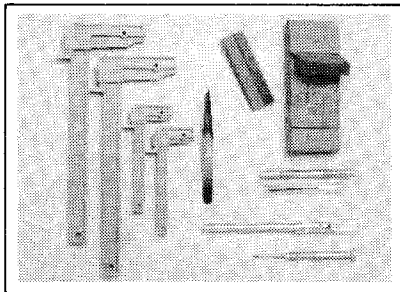
Q. EXTRA-FINE RAZOR SAW

1 1/4" deep with cutting edge 5 1/2" long and 54 teeth per inch for extra fine precision. For use with No. 7533 mitre box. Carded: No. 7535

R. POWER SPRAYER

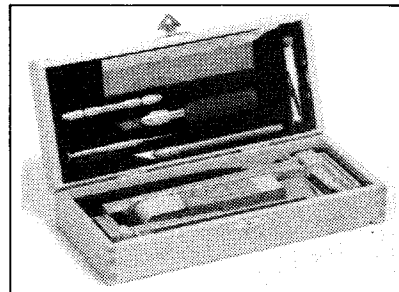
Push-button action sprays evenly. Includes a one ounce jar and propellant to spray on intricate or flat surfaces up to 16 ounces

of liquid materials. Carded: No. 43561



MINIATURIST'S TOOL SET

Basic tools for assembling miniatures, models and working with small parts. 4 clamps, tweezer, pin vise with 3 bits, 2 sanders, screwdriver and No. 1 Knife in fitted tray. No. 43910



DELUXE MINIATURIST'S TOOL CHEST

Fitted wooden chest contains precision tools for assembling miniatures, models and working with small parts: razor saw blade, mitre box, 4 clamps, pin vise and 3 bits, Nos. 1 and 5 Knives, sanders and screwdriver. Boxed: No. 43911