

40046C

COLLECTORS NO. 40046



**Simon Willard
Tall Case Clock**
Circa 1790

Simon Willard, of Roxbury, Massachusetts built clocks in New England for over seventy years and became one of this country's best known clockmakers. Apprenticed originally to John Morris of Hartford, and later working for his older brother Benjamin Willard, Simon developed

skills and techniques that were emulated by many other clockmakers. Simon's younger brother Aaron was also a great clockmaker, almost equal to, but never surpassing Simon.

Like most clockmakers of his times, Simon designed his clock cases, but seldom built them himself, preferring to leave that task to the skilled cabinetmakers while he concentrated on the clockworks themselves. Examples of his clocks are extremely expensive on today's antique market, but the originals sold from fifty to sixty dollars.

The case of this fine piece was of mahogany with inlaid panels of burl. The turned columns and heavily molded bonnet pediment makes this an extremely attractive clock.

Many cases of this type were set off with turned brass finials and brass fretwork atop the arch of the bonnet.

ASSEMBLY AND FINISHING INSTRUCTIONS



AUTHENTIC REPRODUCTIONS IN MINIATURE

The CRAFTMARK House of Miniature Collectors Series of furniture and accessories have all been carefully researched by specialists through major museum and library collections to assure the highest quality of authenticity in reproduction. Details are extraordinarily accurate to satisfy the most discriminating miniaturist.

All wood parts are machined to assure accurate and precise acceptance of each piece by another.

For a complete catalog of the CRAFTMARK HOUSE OF MINIATURES furniture line and accessories, write to:

THE HOUSE OF MINIATURES
Customer Service-Catalog Dept.
147 Lake Street
Delaware, OH 43015

Please include \$2.00 for Postage & Handling.

INTRODUCTION

BEFORE STARTING

Identify and account for each part by placing it on the Layout Sheet (make sure the correct layout sheet is used when working on multi-kit Instruction Sheets). Should any parts be missing, send a post card to:

THE HOUSE OF MINIATURES
Customer Service - Parts Dept.
147 Lake Street
Delaware, OH 43015

Please print Name, Address, Part Number (Number from Layout Sheet) and Kit Name and Number on card when ordering.

SANDING

Before assembly, sand all the outer surfaces of individual parts with 220 grit sandpaper, or finer, sanded in the same direction as the wood grain until the surface is smooth. Take care not to round any edges or corners of the pieces. Finish sanding with 280 grit sandpaper.

PRE-ASSEMBLY

A. After sanding, check the proper location and fit of each part by assembling parts loosely, without gluing. Use the **DETAIL VIEWS** as a guide.

B. All parts for CRAFTMARK kits are made on precision milling machines. When adjustments are required, sand to fit.

TOOLS AND MATERIALS

- A. The following tools will be helpful in constructing this kit:
 1. Pin Vise
 2. Tweezer
 3. Two-inch Sander
 4. Large Clamp
 5. Small Clamp
 6. CRAFTMARK Professional Finishing Kit (or equivalent, see note)
- B. The following materials will be needed to construct this kit:
 1. CRAFTMARK Tinted Glue (see note)
 2. Waxed paper
 3. Sandpaper-220 and 280 grit
 4. Steel Wool-Grade 0000
 5. White glue (or equivalent)
 6. Small Artist's Brush

NOTE: The CRAFTMARK tinted glue is matched to the finish used in the Professional Finishing Kit. This will produce the authentic finish of the period in which the original Furniture was produced. When not using our glue follow manufacturer's directions.

GLUING

- A. Glue should be applied in small amounts to surface being joined. When gluing dado joints apply glue to dado only.
- B. To ensure a tight fit, squeeze excess glue out of the joints. Hold glued parts together with clamps, rubber bands or weights on the parts.
- C. Wipe off excess glue promptly.
- D. Be sure a glued assembly has dried thoroughly before adding parts.

FINISHING

The CRAFTMARK Professional Finishing Kit enables you to finish your furniture by the same process used by the professional furniture maker. The end result is what is important—there are easier methods, but none that will give the quality results that this process will. If you use a finish other than CRAFTMARK'S refer to the manufacturer's directions.

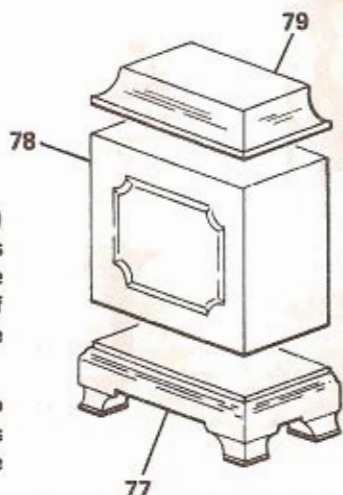
Detail Views

Kit 40046

Step 1

A. Glue the base center (78) to the base (77) so that it is centered and their backs are flush. The embossed portion of the base center should be forward.

B. Glue the base cap (79) to the base center (78) so that it is centered and both pieces are flush at the back.



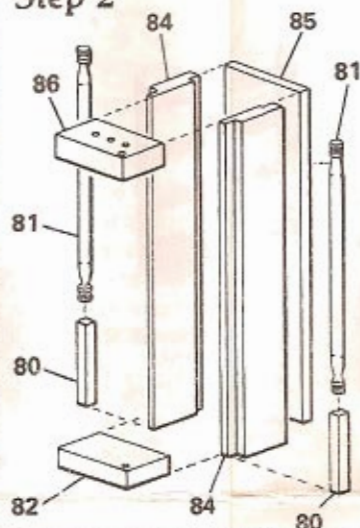
Step 2

A. Glue sides (84) to back (85) with ends flush.

NOTE: Shallow dado is glued against back. Front dado is square.

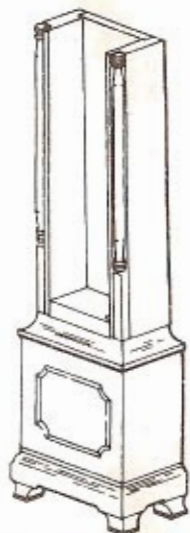
B. Glue bottom hinge block (82) flush with front and end of waist case. Hinge pin hole should be towards front right as indicated. Top block is not glued in at this time but is used as a spacer. Apply final finish to top block before installing.

C. Glue column stops (80) and columns (81) into corner dados. They should be flush with respective ends.



Step 3

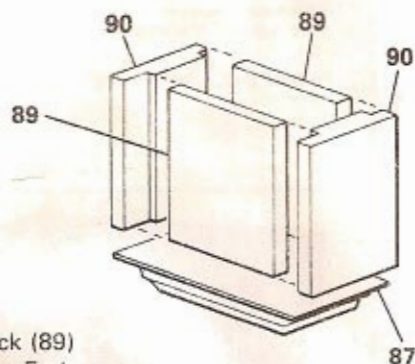
A. Center and glue waist to base with backs flush. This assembly and the top hinge block (86) is now ready for final finishing.



Step 4

A. Glue sides (90) to back (89) and face backing (89). Ends should be flush.

B. Glue this assembly to bonnet base (87). Backs should be flush and assembly centered.



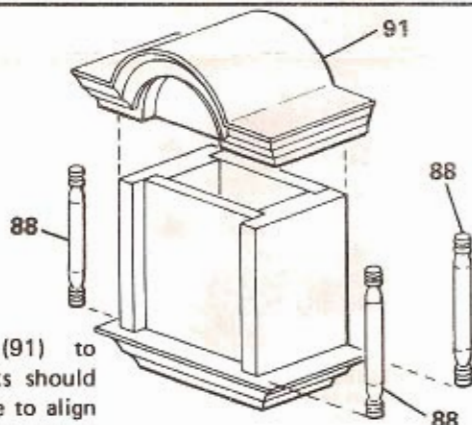
Step 5

A. Glue pediment (91) to bonnet assembly. Backs should be flush. Use clock face to align bonnet and pediment to insure proper fit after final finishing.

B. Glue corner columns (88) in place. They should be vertical and midway between the side

of the case and the end of the base (87).

C. Apply final finish to all remaining parts at this time.

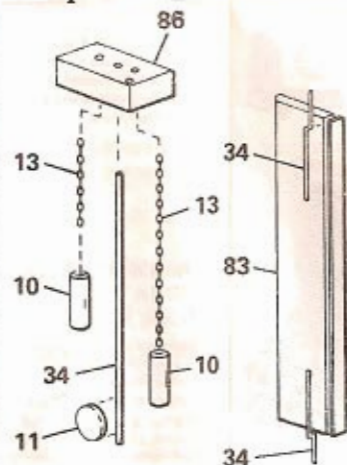


Step 6

A. Cut chain (13) into unequal lengths. Use white glue and glue one end into hole in weights (10) and other end into outer holes in top block (86). Remember that the hinge pin hole should be front and right.

B. With white glue, glue pendulum weight (11) to shaft (34) and then the shaft into center hole. Position of weight is not critical since this was adjustable on full-scale clock.

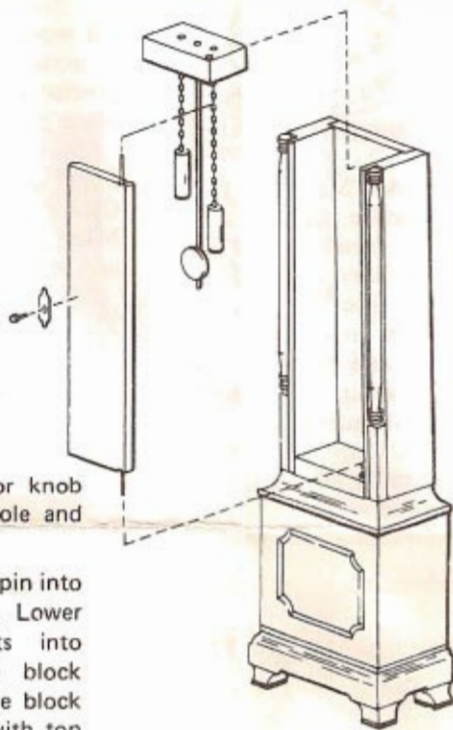
C. Glue hinge pins (34) into groove of door (83). Press firmly into groove on back and ends.



Detail Views

Kit 40046

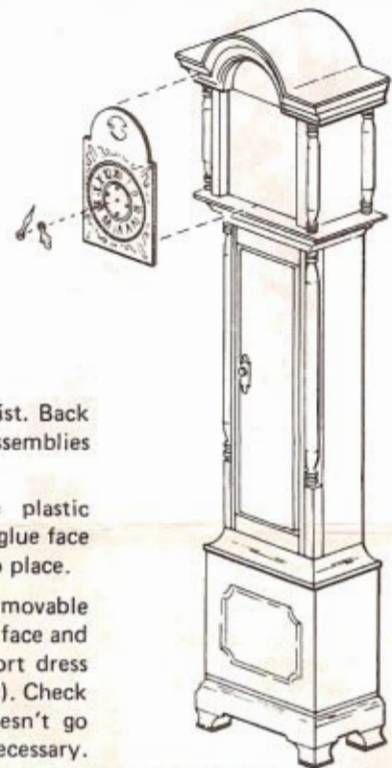
Step 7



A. Drill starter hole for knob pin. Glue plate over hole and install knob.

B. Place bottom hinge pin into hole in bottom block, Lower pendulum and weights into clock case and place block onto top hinge pin. Glue block into top of case flush with top of case.

Step 8

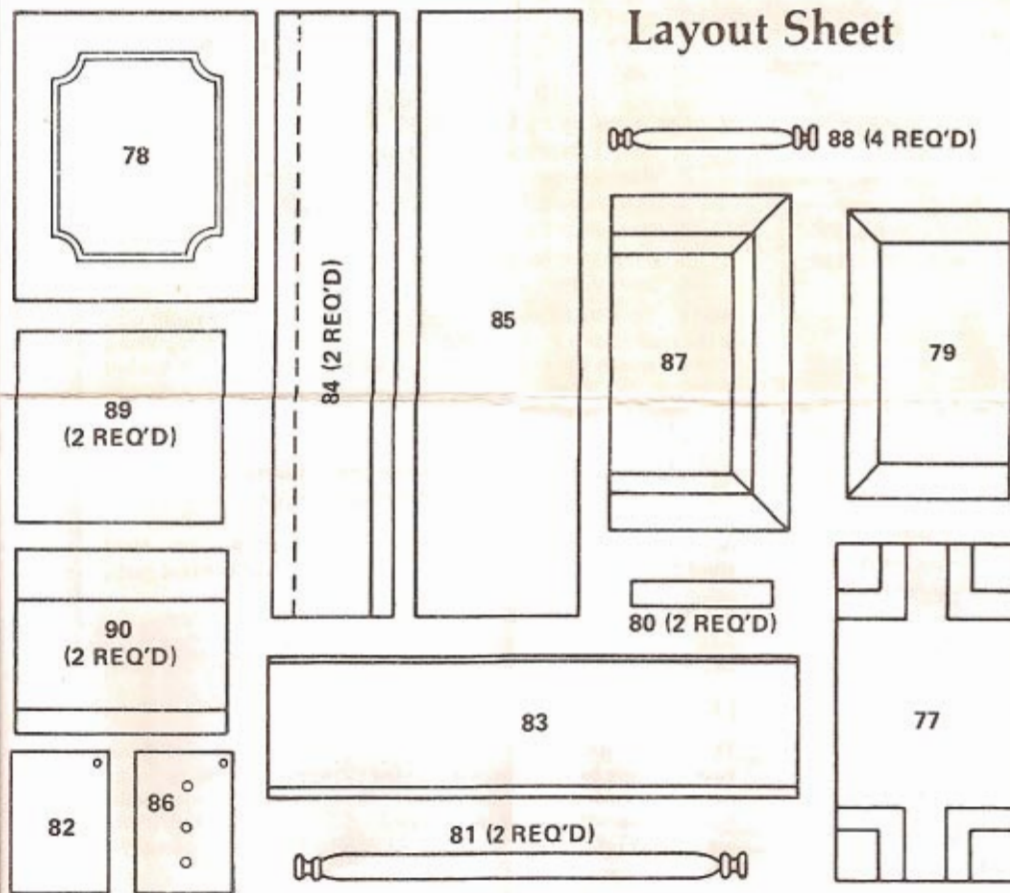


A. Glue bonnet to waist. Back should be flush and assemblies centered.

B. Remove protective plastic from front of face and glue face in place. Glue hands into place.

NOTE: If you desire movable hands drill hole through face and secure hands with a short dress makers pin (not supplied). Check length of pin so it doesn't go through case. Trim if necessary.

Layout Sheet



HARDWARE CHECK LIST

DESCRIPTION	VISUAL DESCRIPTION	QTY
HINGE PIN		2
CLOCK FACE		1
KNOB		1
ESCUTCHEON		1
WEIGHT		2
PENDULUM SHAFT		1
PENDULUM		1
CHAIN		1
CLOCK HANDS		1

