

## COLLECTORS NO. 40043

## Chippendale Day Bed

Circa 1750



Day Beds were simply enlargements of chairs and were constructed of many common parts. They were used for lounging and some even had adjustable backs, or ends, depending upon how you look at them.

They were extremely popular during a period from 1690 to 1760, then had a resurgence during the early part of the 19th century.

The treatment of the seat itself varied considerably from period to period and even from cabinetmaker to cabinetmaker. Some were covered with heavy canvas with a thin cushion on top, while others were topped with a mattress-like cushion supported by a rope frame. Still others had solid bases topped by a standard upholstered pads.

They were commonly placed beneath a set of windows, or in a quiet corner, almost in any location in the house where its occupants might want to take a moments rest, or engage in informal conversation.

The legs, backs, and splats were adorned, as were chairs of a similar design, with heavy carving and the cabriole legs were terminated with ball-and-claw feet.

## ASSEMBLY AND FINISHING INSTRUCTIONS



AUTHENTIC REPRODUCTIONS IN MINIATURE.

The X-ACTO® House of Miniatures® Collectors Series of furniture and accessories have all been carefully researched by specialists through major museum and library collections to assure the highest quality of authenticity in reproduction. Details are extraordinarily accurate to satisfy the most discriminating miniaturist.

All wood parts are machined to assure accurate and precise acceptance of each piece by another.

For a complete catalog of the X-ACTO® HOUSE OF MINIATURES furniture line and accessories, write to:

X-ACTO® THE HOUSE OF MINIATURES Dept. KIT  
45-35 Van Dam Street  
Long Island City,  
New York 11101

Please include \$1.00 for postage and handling.

## INTRODUCTION

## BEFORE STARTING

Identify and account for each part by placing it on the Layout Sheet (make sure the correct layout sheet is used when working on multi-kit Instruction Sheets). Should any parts be missing, send a post card to:

X-ACTO/The House of Miniatures  
45-35 Van Dam Street  
Long Island City, N.Y. 11101

Please print Name, Address, Part Number (Number from Layout Sheet) and Kit Name and Number on card when ordering.

## SANDING

Before assembly, sand all the outer surfaces of individual parts with 220 grit sandpaper, or finer, sanded in the same direction as the wood grain until the surface is smooth. Take care not to round any edges or corners of the pieces. Finish sanding with 280 grit sandpaper.

## PRE-ASSEMBLY

A. After sanding, check the proper location and fit of each part by assembling parts loosely, without gluing. Use the **DETAIL VIEWS** as a guide.

B. All parts for X-ACTO kits are made on precision milling machines. When adjustments are required, sand to fit.

## TOOLS AND MATERIALS

A. The following tools will be helpful in constructing this kit:

1. Two-inch Sander, X-ACTO No. 7042
2. Large Clamp, X-ACTO No. 4004
3. Small Clamp, X-ACTO No. 4003
4. X-ACTO Professional Finishing Kit (or equivalent, see note)

B. The following materials will be needed to construct this kit:

1. X-ACTO Tinted Glue (see note)
2. Waxed paper
3. Sandpaper 220 and 280 grit
4. Steel Wool - Grade 0000
5. White glue (or equivalent)
6. Small Artist's Brush

**NOTE:** The X-ACTO tinted glue is matched to the finish used in the Professional Finishing Kit. This will produce the authentic finish of the period in which the original Furniture was produced. When not using X-ACTO glue follow manufacturer's directions.

## GLUING

A. Glue should be applied in small amounts to surface being joined. When gluing dado joints apply glue to dado only.

B. To ensure a tight fit, squeeze excess glue out of the joints. Hold glued parts together with clamps, rubber bands or weights on the parts.

C. Wipe off excess glue promptly.

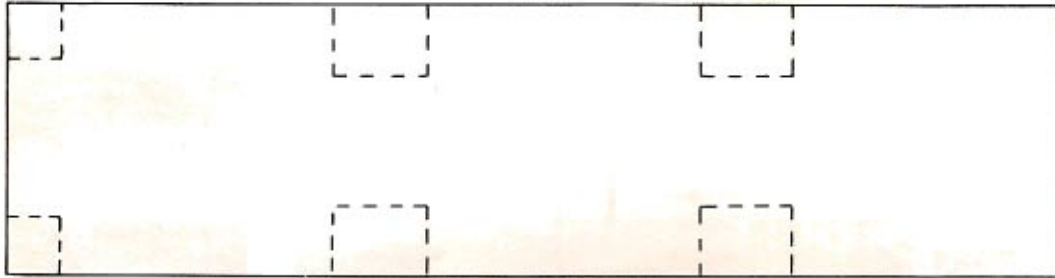
D. Be sure a glued assembly has dried thoroughly before adding parts.

## FINISHING

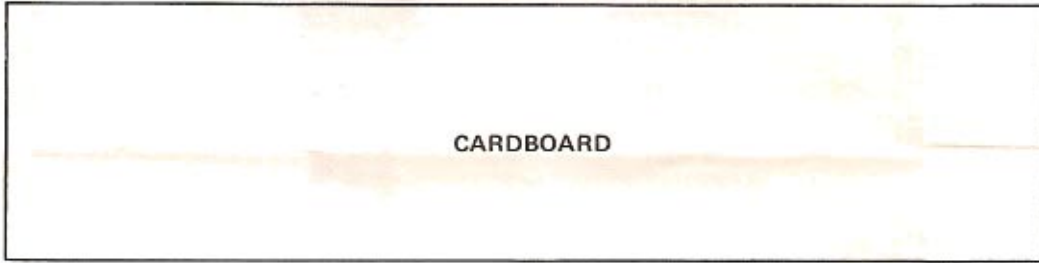
The X-ACTO Professional Finishing Kit enables you to finish your furniture by the same process used by the professional furniture maker. The end result is what is important — there are easier methods, but none that will give the quality results that this process will. If you use a finish other than X-ACTO's, refer to the manufacturer's directions.

# Layout Sheet

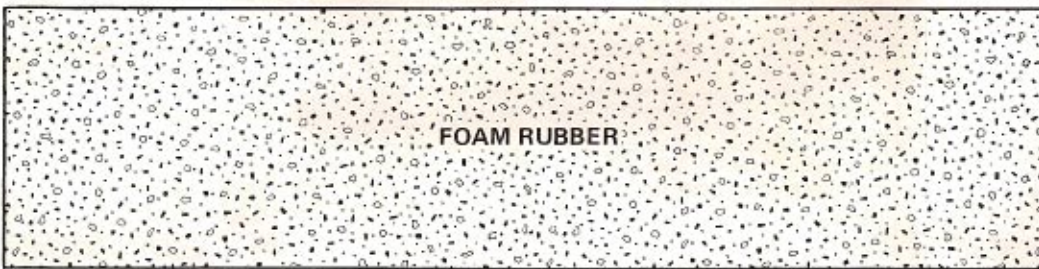
Kit 40043



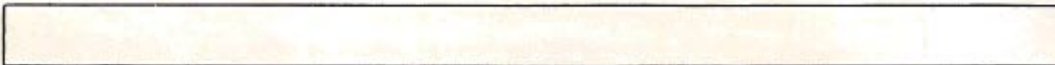
56



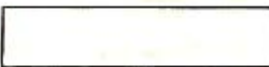
57



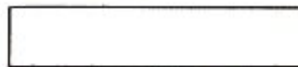
58



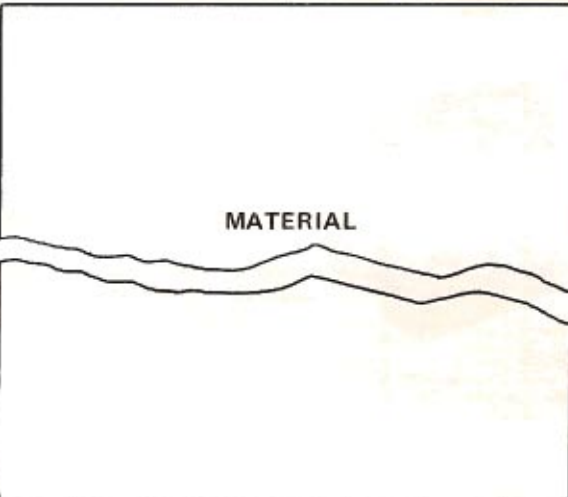
55 (2 REQ'D)



53



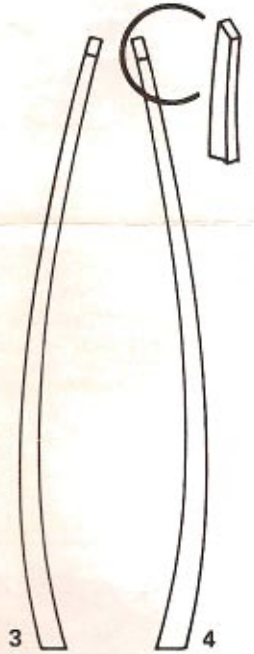
54



59



5



3

4



8



6

(2 REQ'D)



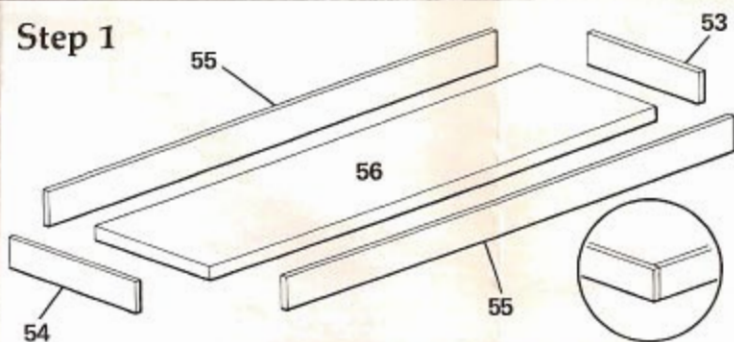
52

(4 REQ'D)

# Detail Views

Kit 40043

## Step 1



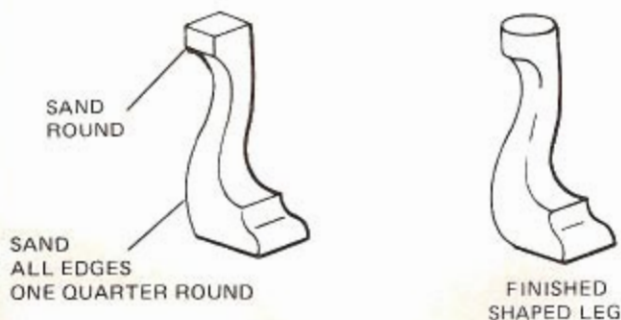
A. Glue sides (55) to base (56) so that they are flush on the bottom and at both ends.

B. Glue front rail (54) to (56) so that it is flush on the bottom and with sides (55).

C. Glue rear rail (53) to (56) so that it is flush on the bottom and two equal notches are formed at the corners.

D. Sand bottom of assembly smooth and sand ends of (54) flush with sides (55).

## Step 2

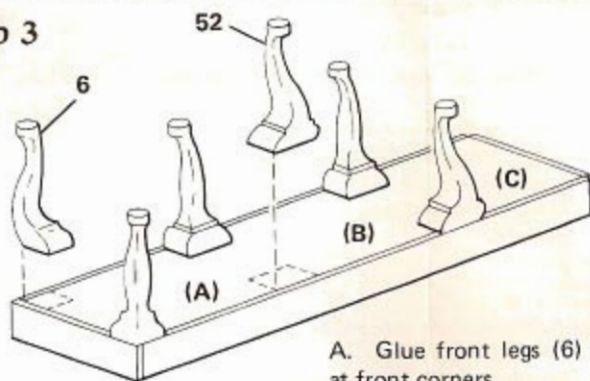


**NOTE:** Cabriole legs (6) & (52) may be shaped prior to assembly.

A. Shape legs by sanding.

B. Sand base of leg until it is round.

## Step 3

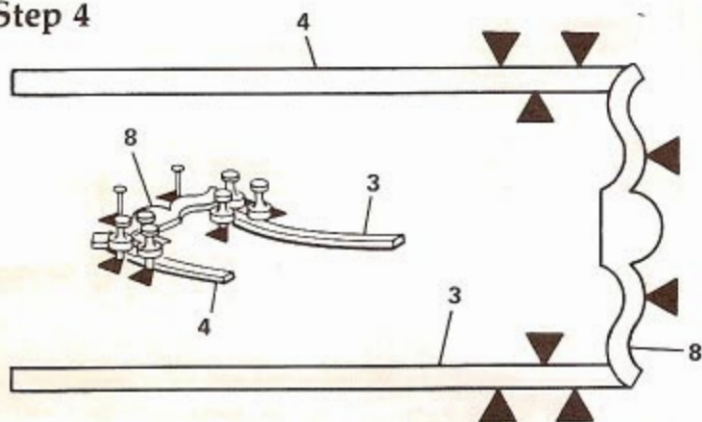


A. Glue front legs (6) in place at front corners.

**NOTE:** Spaces (A), (B) & (C) should all be equal.

B. Glue side legs (52) in place as indicated on the layout sheet and the above note.

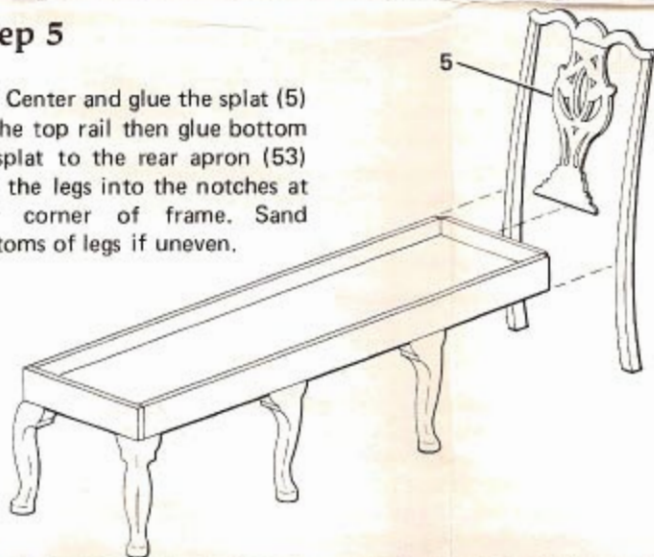
## Step 4



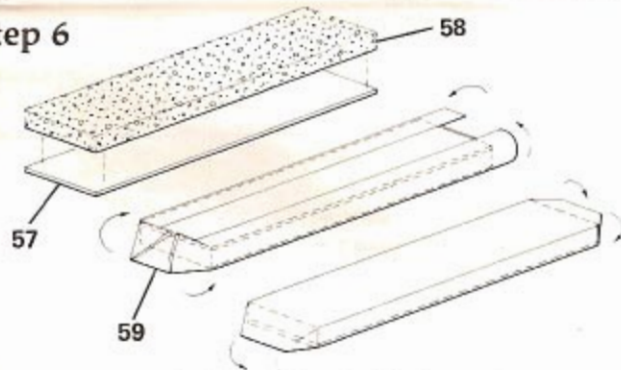
A. Using the Alignment Pattern to top rail (8). Allow to dry thoroughly.

## Step 5

A. Center and glue the splat (5) to the top rail then glue bottom of splat to the rear apron (53) and the legs into the notches at rear corner of frame. Sand bottoms of legs if uneven.



## Step 6



A. Glue cushion (58) to base (57) with white glue.

B. Place cushion (58) down on material (59). Fold material over and glue in place.

C. Tuck each corner under.

D. Fold front and rear of fabric and glue in place.  
E. After applying final finish to Day Bed glue cushion in place.