



**William & Mary Tall Case Clock**  
Circa early 1700's

This Tall Case Clock is described and illustrated in "Furniture Treasury" by Wallace Nutting. It was last owned by E.S. Macomber of Providence, R.I. and estimated to have been built in the early 1700's in New England.

The Tall Case Clock shows the basic styling of the William & Mary influence of the early 1700's in known clocks of this style have been located in England dating back to this period. Possibly this clock was made in England and brought to the colonies as a family heirloom.

The Clock is over seven feet tall and shows simple, yet beautiful lines. The heavy moulding on the pendament add visual weight to the top, the long waist and no-raised feet complete its stately appearance. The true reproduction would include placing an oval glass in the waist door-centered as to see the pendulum bob clearly. With this oval cut-out, the clock would be known by its true name—"Bulls Eye Door Clock". The movement would originally have been made of wood with possibly a single bell. The pendulum bob could be clearly seen moving through the glass bulls eye in the door.

Clocks of this era were made of many materials — normally "locally" found lumber — pine, ash, oak, walnut, cherry, and, at times, a combination. Cabinet makers of this period were working with rather crude tools and thus curved mouldings were not commonly found as in evidence on this Tall Case Clock.



AUTHENTIC REPRODUCTIONS IN MINIATURE

The X-ACTO® House of Miniatures Collectors Series® of furniture and accessories have all been carefully researched by specialists through major museum and library collections to assure the highest quality of authenticity in reproduction. Details are extraordinarily accurate to satisfy the most discriminating miniaturist.

All wood parts are machined to assure accurate and precise acceptance of each piece by another.

For a complete catalog of the X-ACTO® HOUSE OF MINIATURES furniture line and accessories, write to:

X-ACTO® THE HOUSE OF MINIATURES Dept. KIT  
45-35 Van Dam Street  
Long Island City,  
New York 11101

*Please include \$2.00 for postage and handling.*

## INTRODUCTION

### BEFORE STARTING

Identify and account for each part by placing it on the Layout Sheet (make sure the correct layout sheet is used when working on multi-kit Instruction Sheets). Should any parts be missing, send a post card to:

**X-ACTO/The House of Miniatures**  
45-35 Van Dam Street  
Long Island City, N.Y. 11101

Please print Name, Address, Part Number (Number from Layout Sheet) and Kit Name and Number on card when ordering.

### SANDING

Before assembly, sand all the outer surfaces of individual parts with 220 grit sandpaper, or finer, sanded in the same direction as the wood grain until the surface is smooth. Take care not to round any edges or corners of the pieces. Finish sanding with 280 grit sandpaper.

### PRE-ASSEMBLY

A. After sanding, check the proper location and fit of each part by assembling parts loosely, without gluing. Use the **DETAIL VIEWS** as a guide.

B. All parts for X-ACTO kits are made on precision milling machines. When adjustments are required, sand to fit.

### TOOLS AND MATERIALS

A. The following tools will be helpful in constructing this kit:

1. Pin Vise X-ACTO No. 7144
2. Tweezer, X-ACTO No. 7336
3. Two-inch Sander, X-ACTO No. 7042
4. Large Clamp, X-ACTO No. 7004
5. Small Clamp, X-ACTO No. 7003
6. X-ACTO Professional Finishing Kit (or equivalent, see note)

B. The following materials will be needed to construct this kit:

1. X-ACTO Tinted Glue (see note)
2. Waxed paper
3. Sandpaper - 220 and 280 grit
4. Steel Wool - Grade 0000
5. White glue (or equivalent)
6. Small Artist's Brush.

**NOTE:** The X-ACTO tinted glue is matched to the finish used in the Professional Finishing Kit. This will produce the authentic finish of the period in which the original Furniture was produced. When not using X-ACTO glue follow manufacturer's directions.

### GLUING

A. Glue should be applied in small amounts to surface being joined. When gluing dado joints apply glue to dado only.

B. To ensure a tight fit, squeeze excess glue out of the joints. Hold glued parts together with clamps, rubber bands or weights on the parts.

C. Wipe off excess glue promptly.

D. Be sure a glued assembly has dried thoroughly before adding parts.

### FINISHING

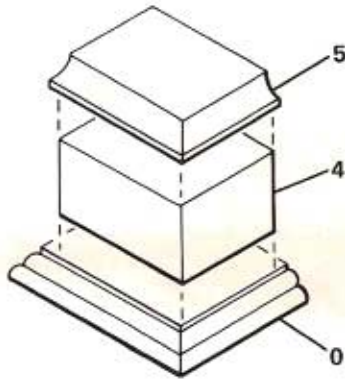
The X-ACTO Professional Finishing Kit enables you to finish your furniture by the same process used by the professional furniture maker. The end result is what is important — there are easier methods, but none that will give the quality results that this process will. If you use a finish other than X-ACTO's, refer to the manufacturer's directions.



# Detail Views

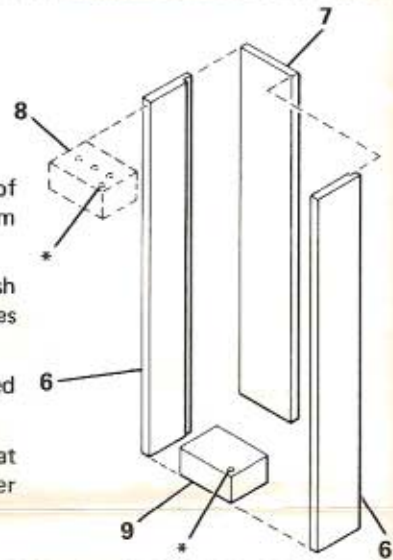
Kit 40018

## Step 1



A. Glue (4) to (0) and (5) to (4) to form pedestal assembly. All pieces should be centered on each other with rear edges flush.

## Step 2



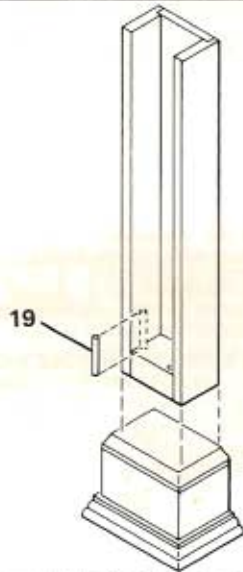
A. Glue back (7) into rabbet of sides (6). Top and bottom should be flush.

B. Glue bottom block (9) flush with bottom and front edges of sides.

\* Hole in block must be located as indicated.

C. Block (8) is not glued at this time. It is used as a spacer until glue dries.

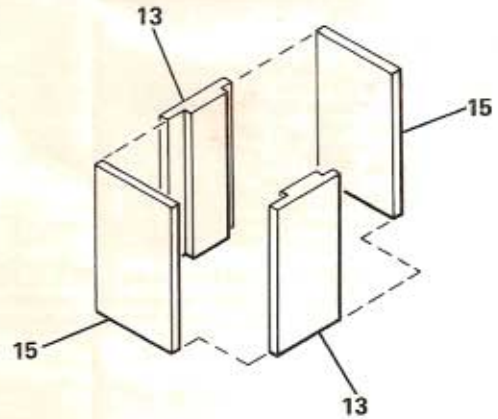
## Step 3



A. Glue cabinet assembly to pedestal assembly. Back's of each assembly should be flush.

B. Glue door stop (19) to the side of cabinet 1/8 inch from front edge (thickness of door).

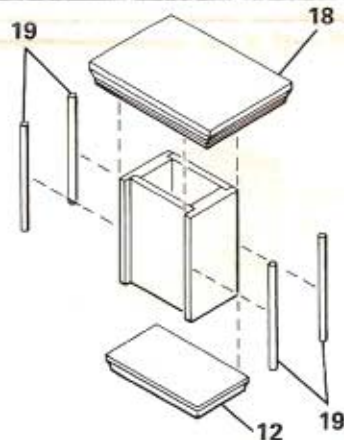
## Step 4



A. Glue back (15) into the narrow rabbets of the sides (13).

B. Glue front (15) into the wide rabbets of the sides (13). Top and bottom edges of all pieces should be flush.

## Step 5



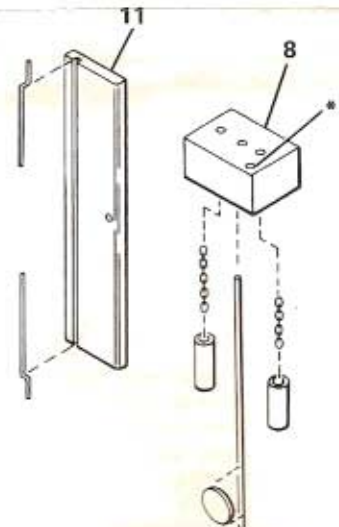
A. Glue pediment (18) to the assembly made in Step 4. Back edges should be flush.

B. Glue base (12) in place. Back edge should be flush with the rest of the assembly.

C. Glue columns (19) at the rear of the assembly between (18) & (12) and against (13). These should be flush with the back of the assembly.

D. Glue columns (19) at the front of the assembly between (18) & (12) and touching the outer corner of (13).

## Step 6



A. Glue hinge pins into the dado on door (11).

B. Drill a hole in door at location indicated by (+) on Layout Sheet using a No. 65 drill.

C. Glue pendulum to shaft using white glue.

D. Cut chain into unequal lengths and glue into weights using white glue.

E. After block (8) has had Final Finish applied use white glue to install pendulum and weights as shown.

\* Hole in block must be located as indicated.

# Detail Views

Kit 40018

## Step 7

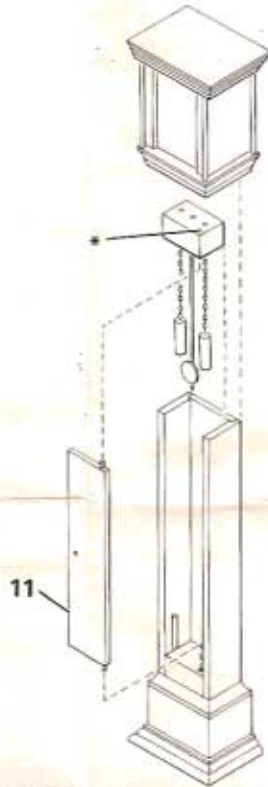
**NOTE:** Proceed with steps 7 & 8 after Final Finishing is complete.

A. Insert bottom hinge pin into hole in bottom block.

B. Insert top hinge pin into top block and at the same time slide top block into cabinet. Glue in place with white glue flush with top and front of cabinet.

C. Glue hood assembly to top of cabinet with white glue keeping back flush.

\* Hole in block must be located as indicated.



## Step 8

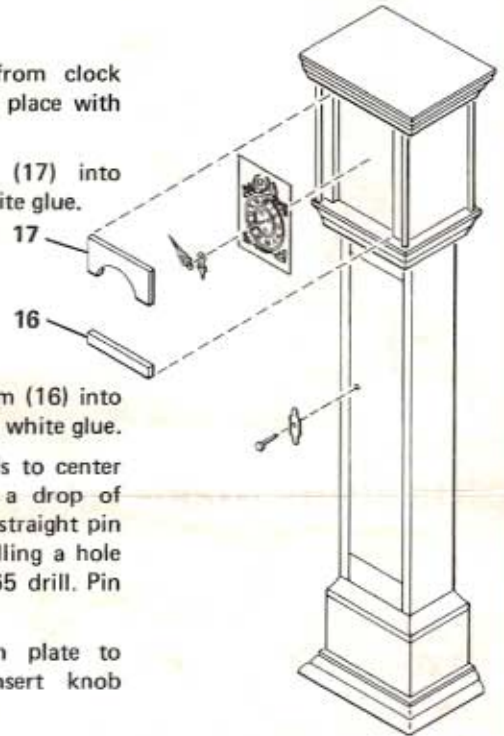
A. Remove film from clock face. Glue face into place with white glue.

B. Glue top trim (17) into top of recess with white glue.

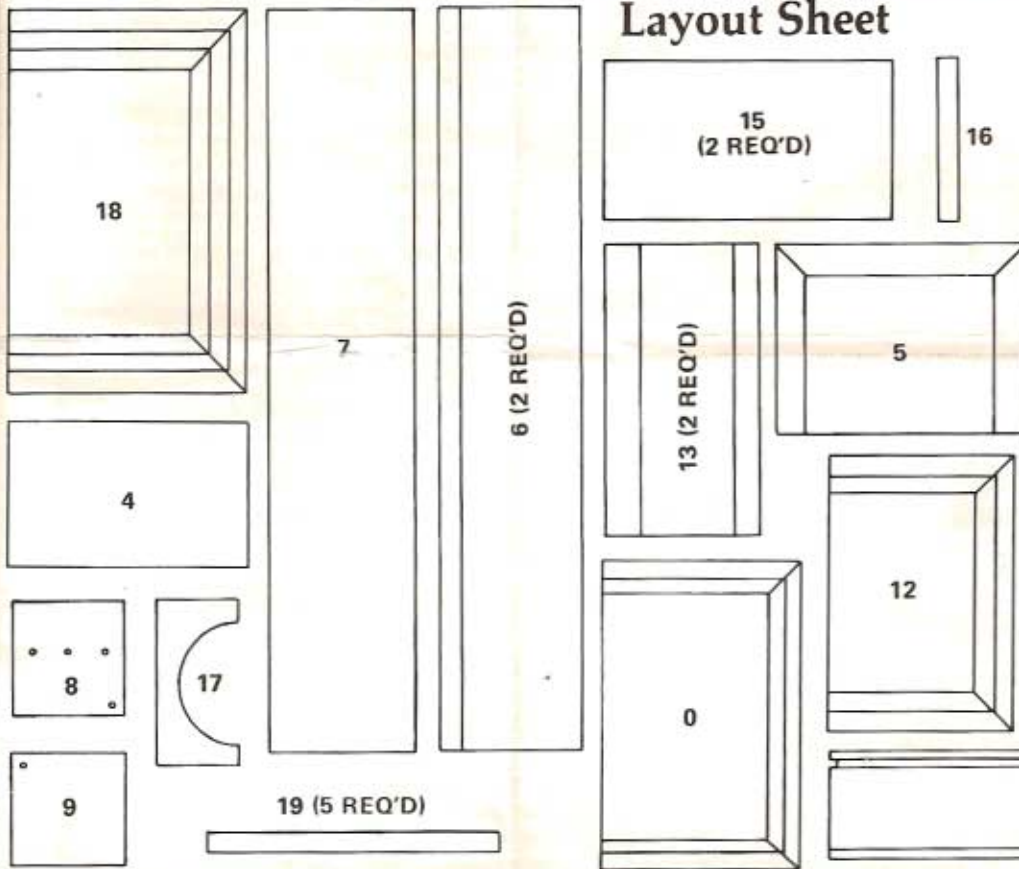
C. Glue bottom trim (16) into bottom of recess with white glue.

D. Glue clock hands to center of clock face with a drop of white glue. (A small straight pin may be used by drilling a hole in face with a No. 65 drill. Pin not provided in kit.)

E. Glue escutcheon plate to door front and insert knob into pre-drilled hole.



## Layout Sheet



## HARDWARE CHECK LIST

DESCRIPTION	VISUAL DESCRIPTION	QTY
HINGE PIN		2
CLOCK FACE		1
KNOB		1
ESCUTCHEON		1
WEIGHT		2
PENDULUM SHAFT		1
PENDULUM		1
CHAIN		1
CLOCK HANDS		2