

## COLLECTORS NO. 40015



Chippendale  
Sofa  
Circa 1750-1790

Few furniture designers become influential enough to have their names rather than a monarch's linked with current styles. One of these was Thomas Chippendale, who operated one of the most fashionable shops in London from 1745 until his death in 1777.

The Chippendale sofa was a stately piece of furniture, dignified in design and often large in size. It seems that Chippendale himself did not give much attention to sofas since there was so little surface upon which fine carving could be executed as they were entirely covered with upholstery except for the legs and stretchers. In sofas of this type the attractive features are the fine outlines and proportions and the elegance of the material used in the upholstery; the visible woodwork, unless ornamental, does not add much to the appearance. It is said that the outlines of sofas of this type may be much impaired by being carelessly upholstered.

A prominent feature in the Chippendale sofa is the "rollover" arms. Some of the American sofas in the Chippendale style are elaborate and highly carved pieces, with cabriole legs and ball and claw feet; but most of them have the plain square legs and plain stretchers. The X-ACTO miniature Chippendale sofa is a replica of one that was made between 1760-1785. It has 6 plain legs connected by stretchers. The back is arched in a curve characteristic of these pieces.

## ASSEMBLY AND FINISHING INSTRUCTIONS



AUTHENTIC REPRODUCTIONS IN MINIATURE

The X-ACTO® House of Miniatures® Collectors Series of furniture and accessories have all been carefully researched by specialists through major museum and library collections to assure the highest quality of authenticity in reproduction. Details are extraordinarily accurate to satisfy the most discriminating miniaturist.

All wood parts are machined to assure accurate and precise acceptance of each piece by another.

For a complete catalog of the X-ACTO® HOUSE OF MINIATURES furniture line and accessories, write to:

X-ACTO® THE HOUSE OF MINIATURES Dept. KIT  
45-35 Van Dam Street  
Long Island City,  
New York 11101

Please include \$1.00 for postage and handling.

## INTRODUCTION

## BEFORE STARTING

Identify and account for each part by placing it on the Layout Sheet (make sure the correct layout sheet is used when working on multi-kit Instruction Sheets). Should any parts be missing, send a post card to:

X-ACTO/The House of Miniatures  
45-35 Van Dam Street  
Long Island City, N.Y. 11101

Please print Name, Address, Part Number (Number from Layout Sheet) and Kit Name and Number on card when ordering.

## SANDING

Before assembly, sand all the outer surfaces of individual parts with 220 grit sandpaper, or finer, sanded in the same direction as the wood grain until the surface is smooth. Take care not to round any edges or corners of the pieces. Finish sanding with 280 grit sandpaper.

## PRE-ASSEMBLY

A. After sanding, check the proper location and fit of each part by assembling parts loosely, without gluing. Use the DETAIL VIEWS as a guide.

B. All parts for X-ACTO kits are made on precision milling machines. When adjustments are required, sand to fit.

## TOOLS AND MATERIALS

A. The following tools will be helpful in constructing this kit:

1. Knife X-ACTO No. 1, with blade, X-ACTO No. 11
2. Two-inch Sander, X-ACTO No. 42
3. Large Clamp, X-ACTO No. 4004
4. Small Clamp, X-ACTO No. 4003
5. X-ACTO Professional Finishing Kit (or equivalent, see note)

B. The following materials will be needed to construct this kit:

1. X-ACTO Tinted Glue (see note)
2. Waxed paper
3. Sandpaper - 220 and 280 grit
4. Small Scissors
5. White glue (or equivalent)
6. Small Artist's Brush

**NOTE:** The X-ACTO tinted glue is matched to the finish used in the Professional Finishing Kit. This will produce the authentic finish of the period in which the original Furniture was produced. When not using X-ACTO glue follow manufacturer's directions.

## GLUING

A. Glue should be applied in small amounts to surface being joined. When gluing dado joints apply glue to dado only.

B. To ensure a tight fit, squeeze excess glue out of the joints. Hold glued parts together with clamps, rubber bands or weights on the parts.

C. Wipe off excess glue promptly.

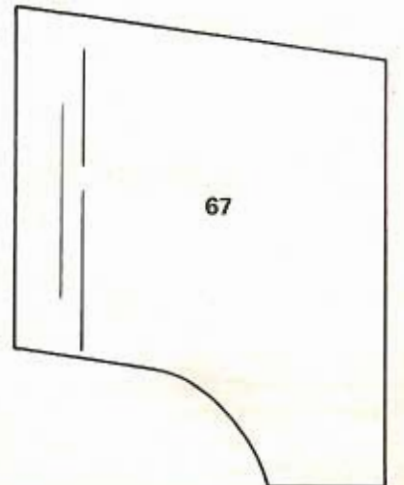
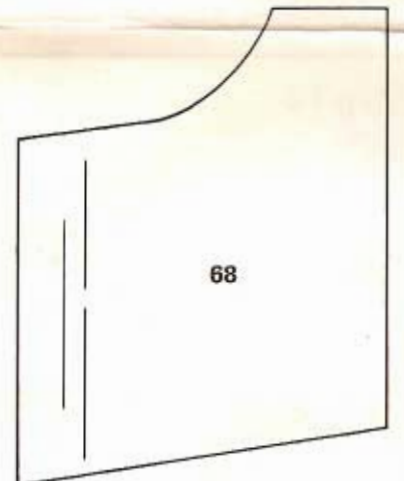
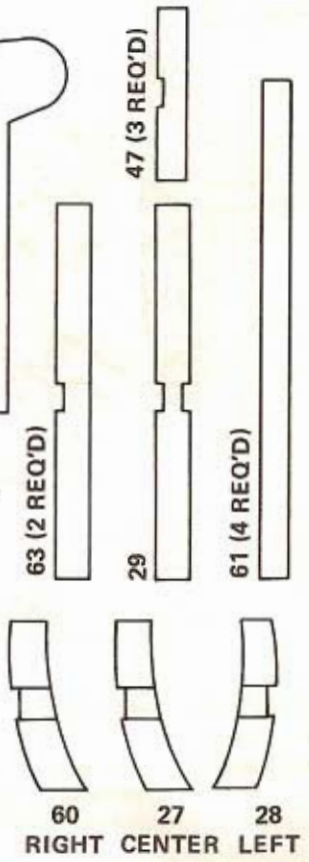
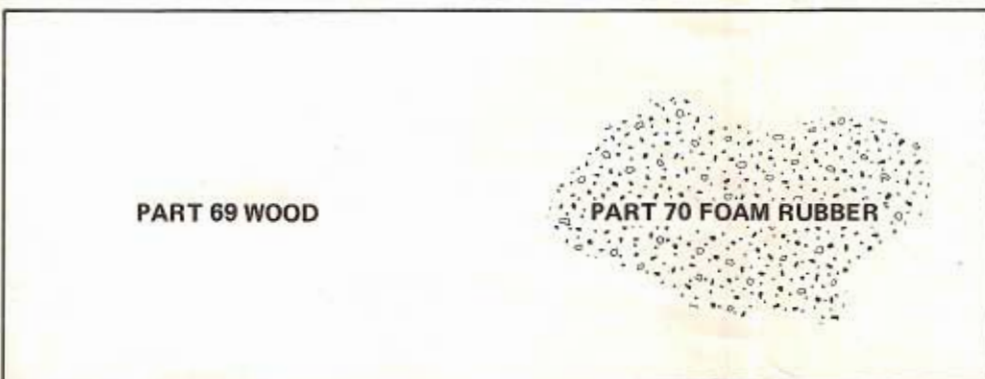
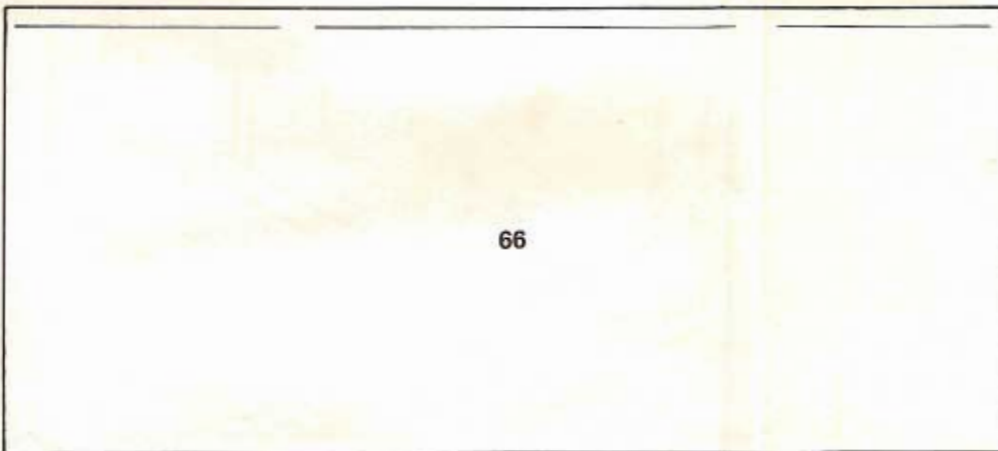
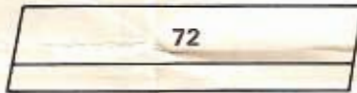
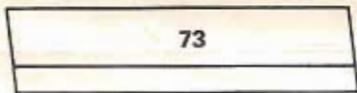
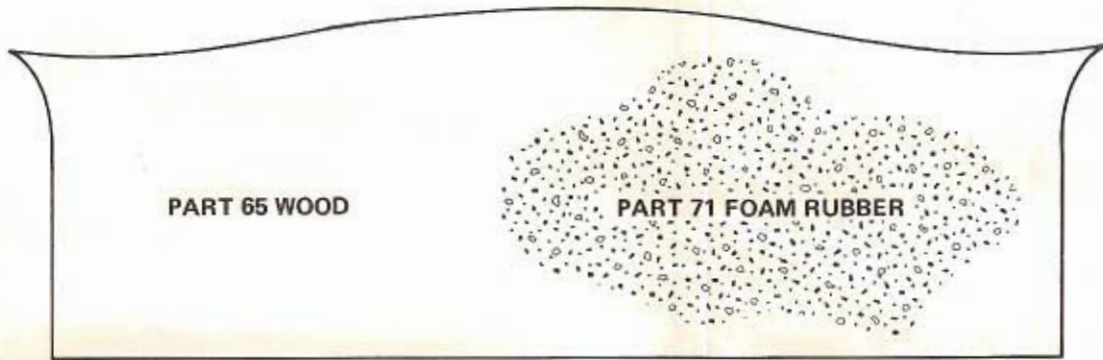
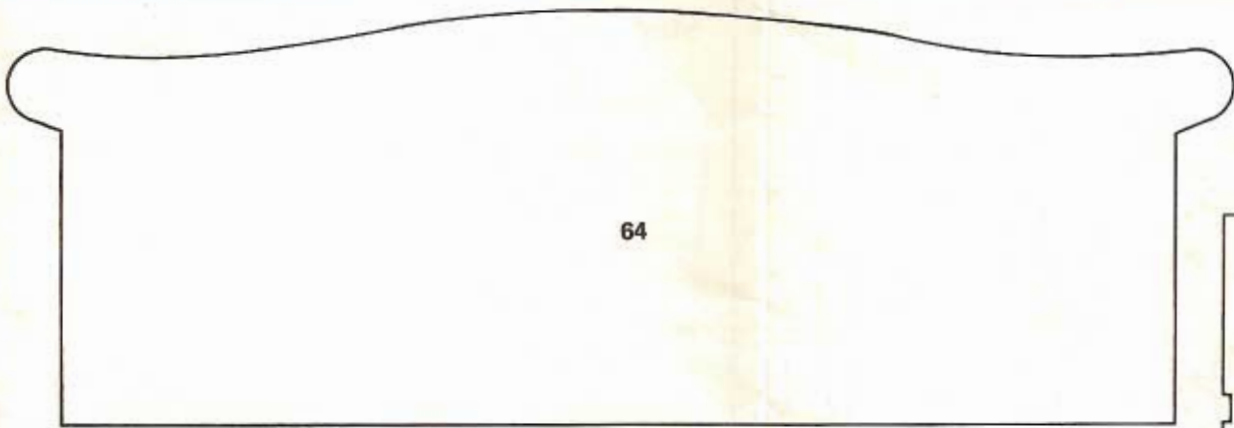
D. Be sure a glued assembly has dried thoroughly before adding parts.

## FINISHING

The X-ACTO Professional Finishing Kit enables you to finish your furniture by the same process used by the professional furniture maker. The end result is what is important — there are easier methods, but none that will give the quality results that this process will. If you use a finish other than X-ACTO's, refer to the manufacturer's directions.

# Layout Sheet

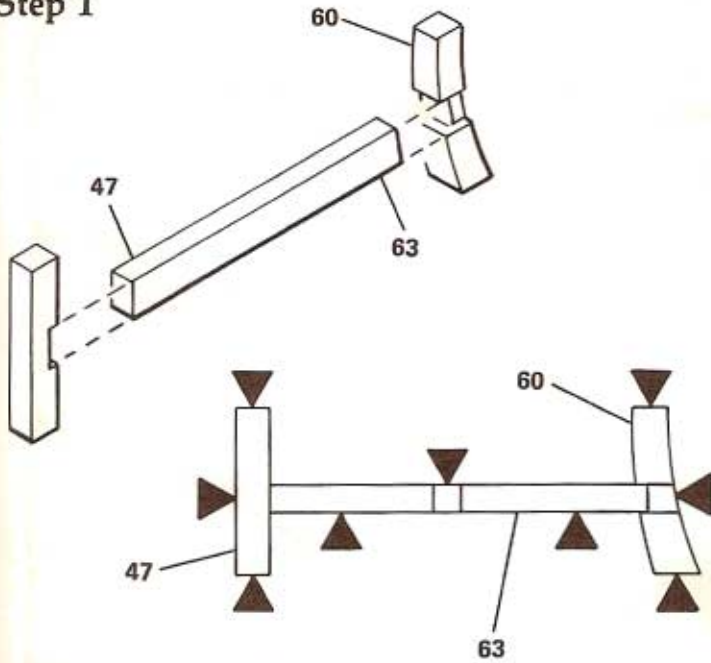
Kit 40015



# Detail Views

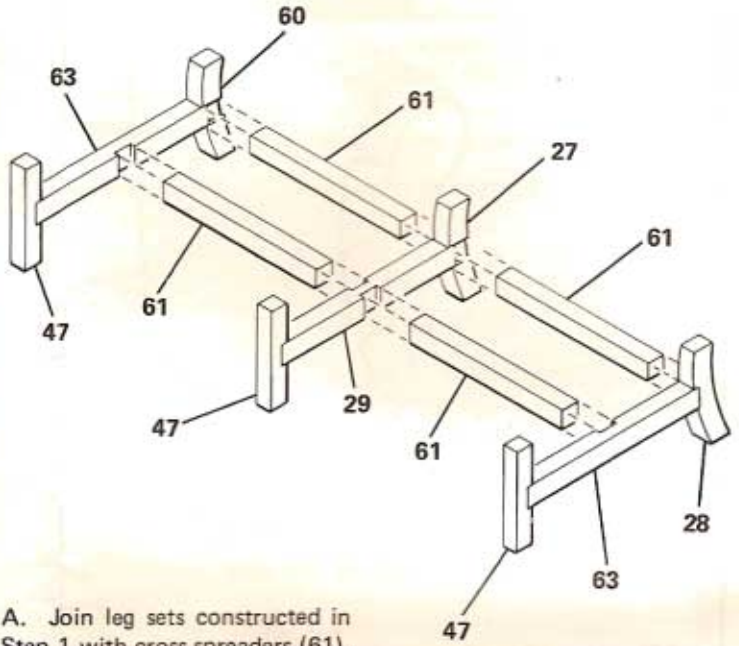
Kit 40015

## Step 1



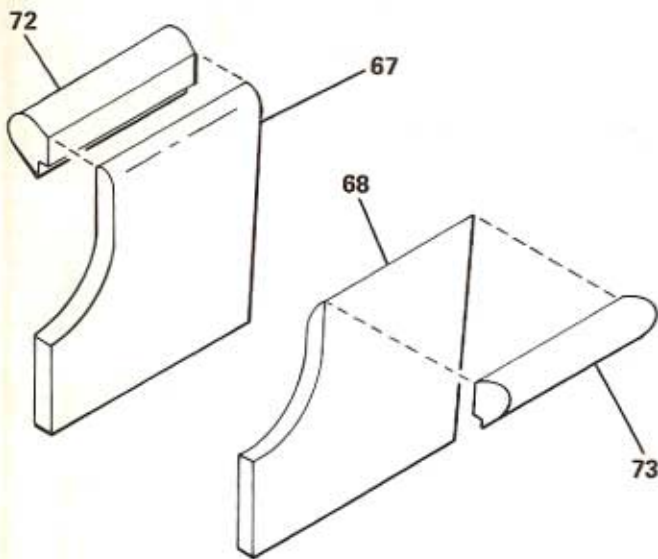
A. Using the Alignment Pattern construct three sets of legs. Study drawing in Step 2 for correct positioning of parts. Drawing shown in this step is typical of all three assemblies.

## Step 2



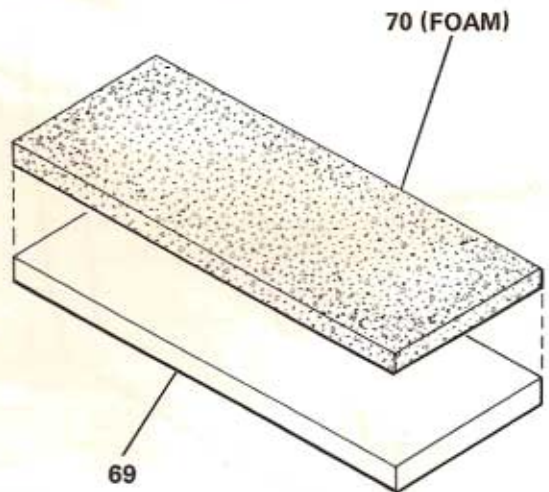
A. Join leg sets constructed in Step 1 with cross spreaders (61).  
B. Refer to Final Finishing and finish this assembly.

## Step 3



A. Glue arm (72) to side (67) and arm (73) to side (68). Check that groove formed where arm and side joins is kept free of glue.

## Step 4

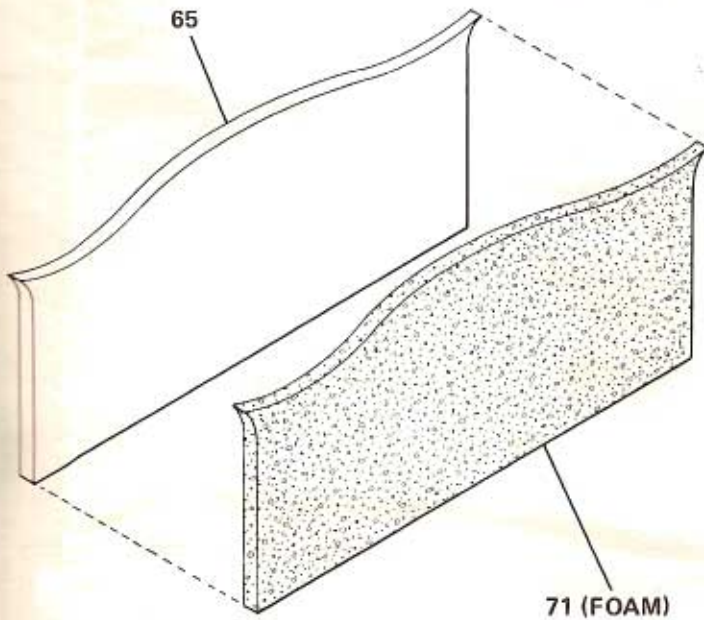


A. Glue foam cushion (70) to wood base (69). Foam should be lined up with the front edge of (69). Do not confuse part (69) with the sofa base (66), (69) has square edges while (66) has the front edge rounded and the back edge beveled.

# Detail Views

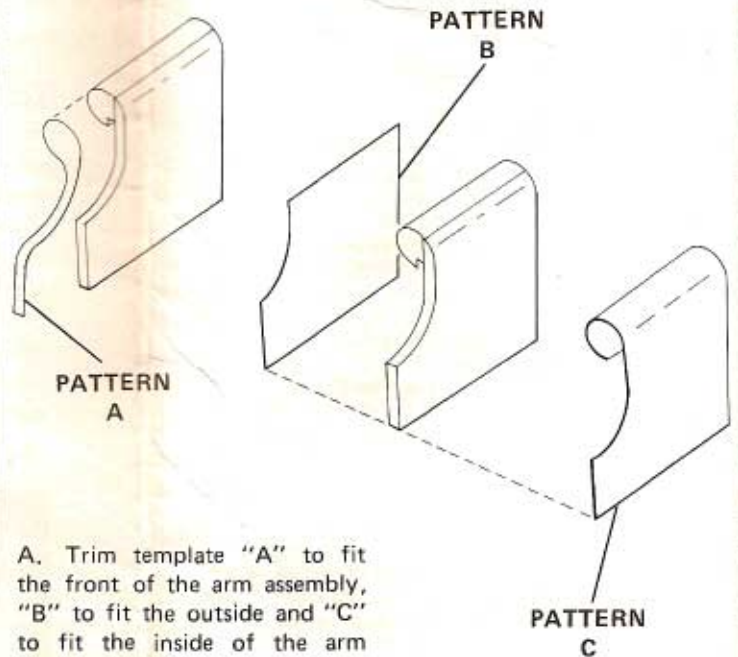
Kit 40015

## Step 5



A. Glue foam cushion (71) to wood backing (65). Foam should be lined up with the top edge of (65).

## Step 6



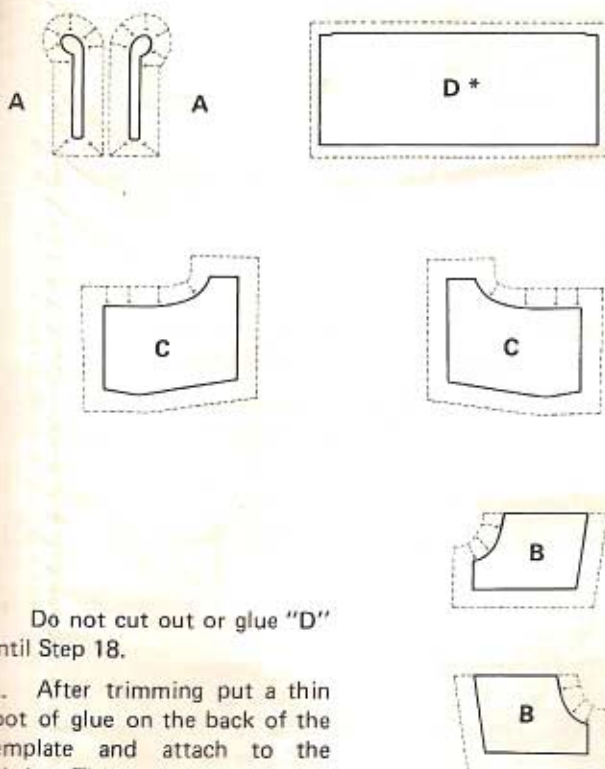
A. Trim template "A" to fit the front of the arm assembly, "B" to fit the outside and "C" to fit the inside of the arm assembly.

B. Repeat for the other arm.

**NOTE:** Template "D" is trimmed after assembly in Step 18.

## Step 7

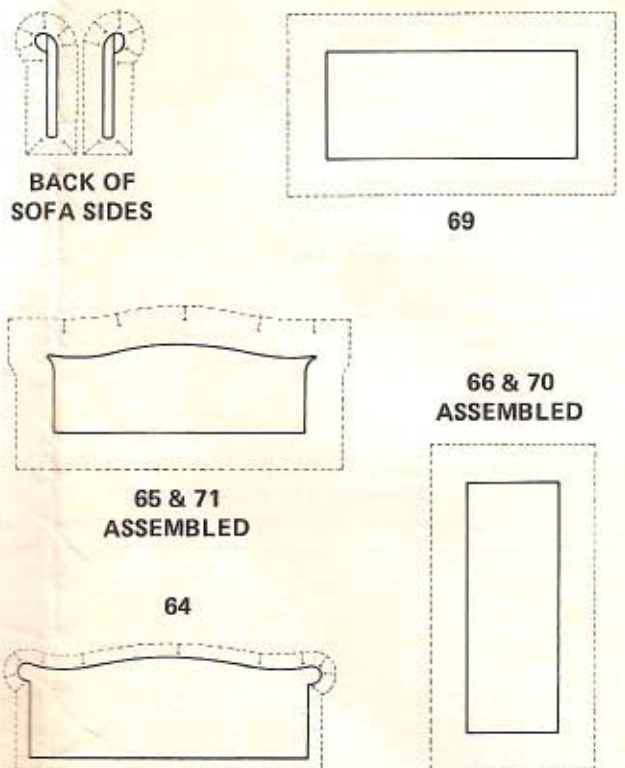
**PATTERNS REQUIRING UPHOLSTERY (DOTTED LINE INDICATES TRIM SIZE OF FABRIC)**



\* Do not cut out or glue "D" until Step 18.

A. After trimming put a thin spot of glue on the back of the template and attach to the fabric. This prevents slippage while cutting.

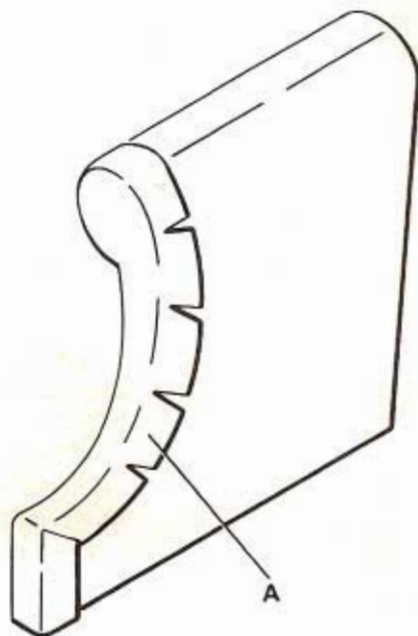
**ASSEMBLIES REQUIRING UPHOLSTERY**



# Detail Views

Kit 40015

## Step 8



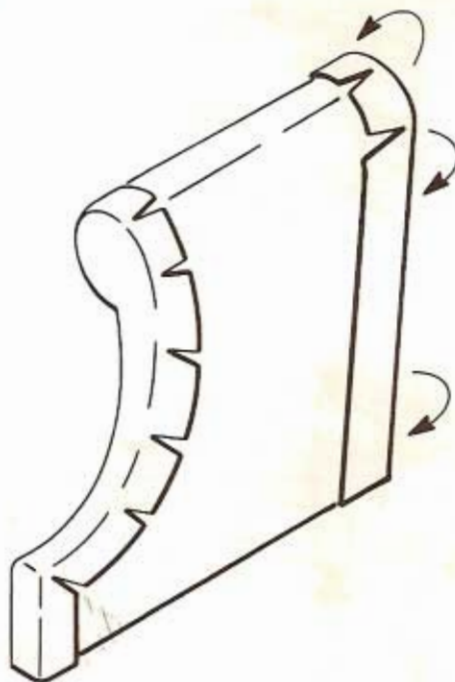
**NOTE:** Use white glue for this and all successive steps.

A. Glue template "A" to the front edge of arm, then glue fabric to arm. Clip at curves

where necessary to prevent wrinkling. Avoid getting glue on fabric surface that will be exposed on finished sofa.

B. Repeat for other arm.

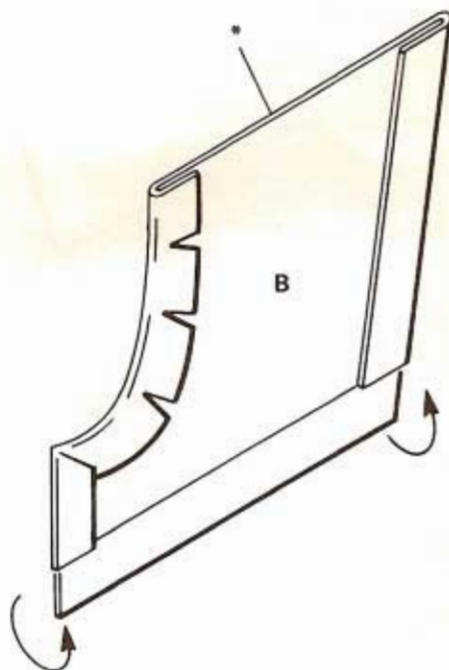
## Step 9



A. Cover back edge of arm material is applied directly assembly using same method without using template.

B. Repeat for other arm.

## Step 10

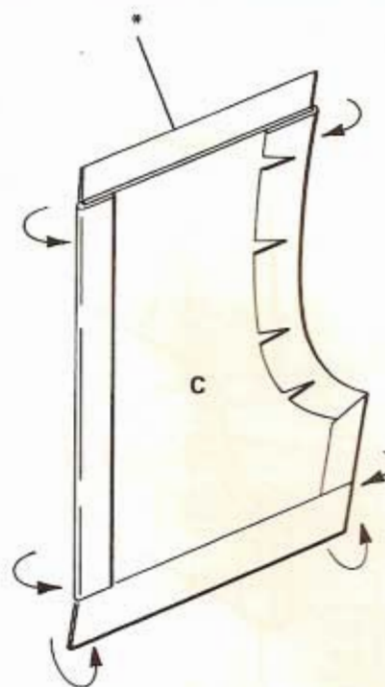


A. Cover template "B" with fabric, gluing outside surface only.

B. Repeat for other side. Remember you should end up with a right and left set.

\* This edge is trimmed flush with no overlap.

## Step 11



A. Cover template "C" with fabric, gluing on inside surface only.

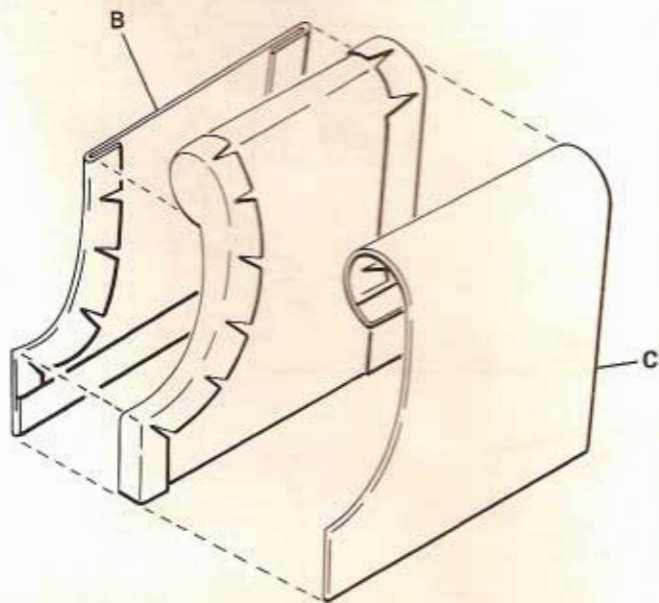
B. Repeat for other side. Remember you should end up with a right and left set.

\* This edge is left unfinished at this point (see Step 12).

# Detail Views

Kit 40015

## Step 12

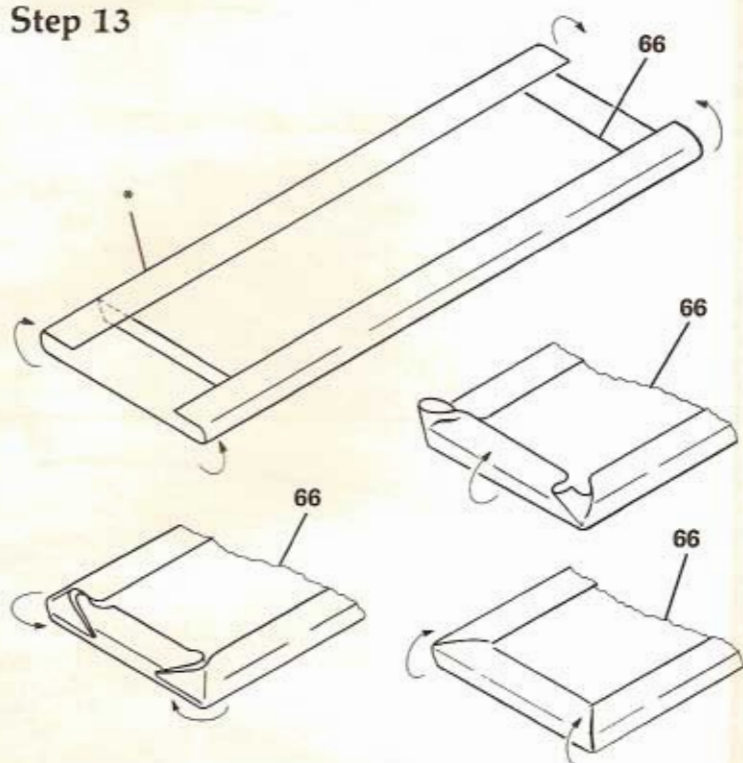


A. Glue the fabric covered "B" to outside of arm working its top edge into the groove formed by the arm and side. If this groove is blocked by material clip and force material to one side until groove is clear.

B. Glue fabric covered "C" to inside of arm. Wrap end over arm to check fit. Lengthen or shorten as needed, then glue into place.

C. Repeat for other arm.

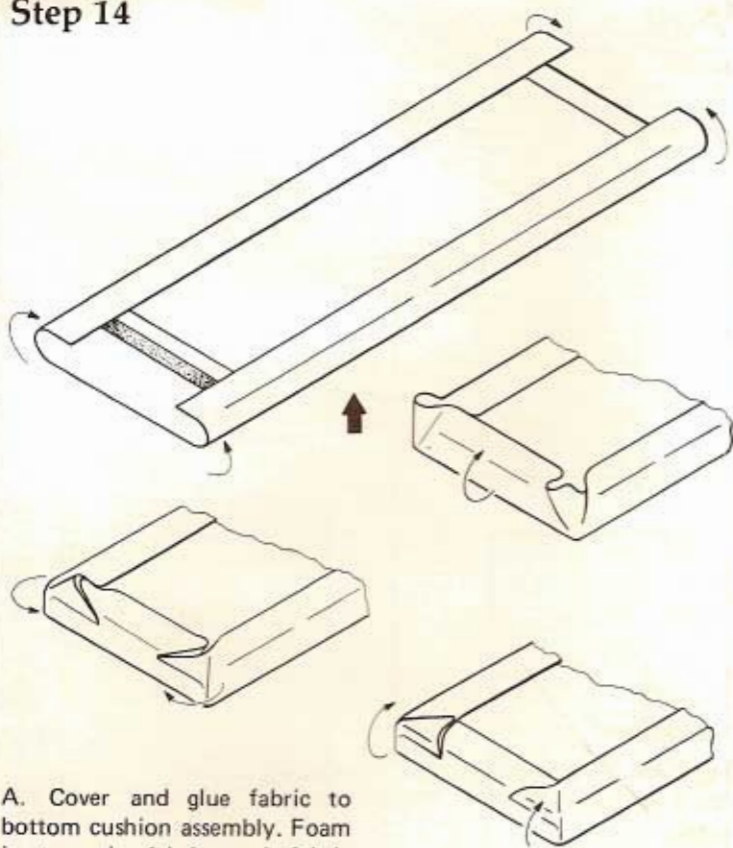
## Step 13



A. Cover the top of the sofa base with fabric, gluing fabric to the bottom surface.

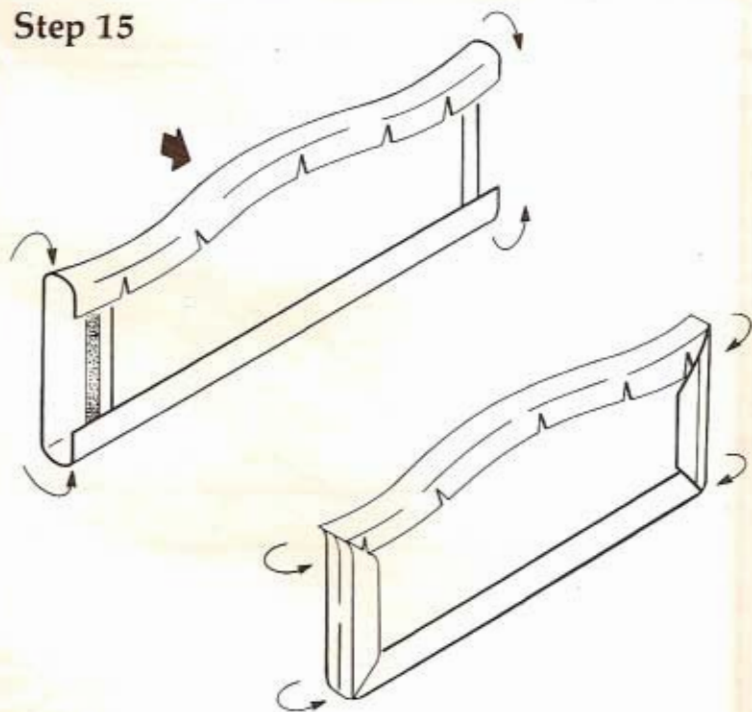
\* The rounded edge of this part is the front top edge.

## Step 14



A. Cover and glue fabric to bottom cushion assembly. Foam is towards fabric and fabric is glued to the wood base.

## Step 15

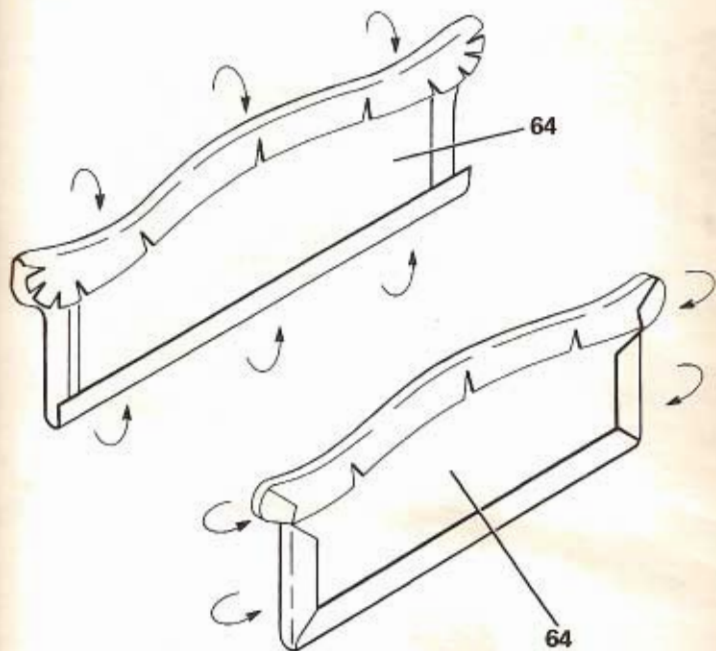


A. Cover and glue fabric to back cushion assembly. Foam is towards fabric and fabric is glued to the wood cushion back.

# Detail Views

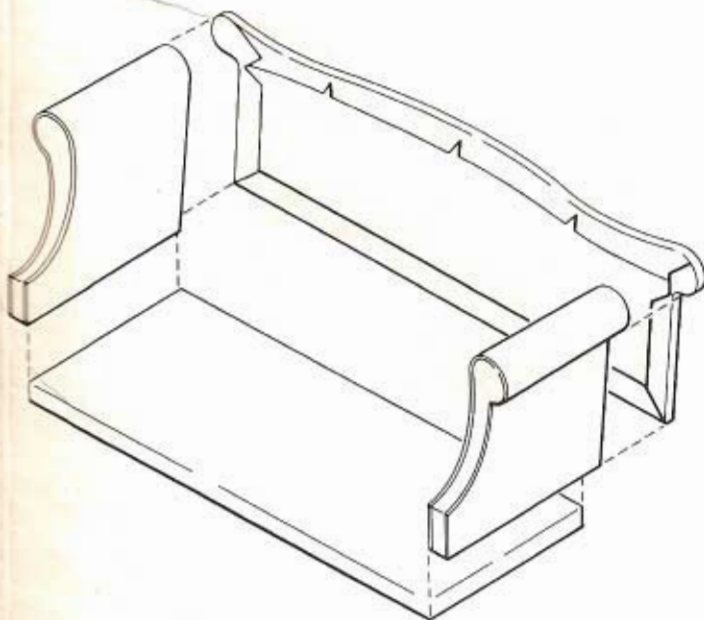
Kit 40015

## Step 16



A. Cover and glue fabric to the sofa back as illustrated.

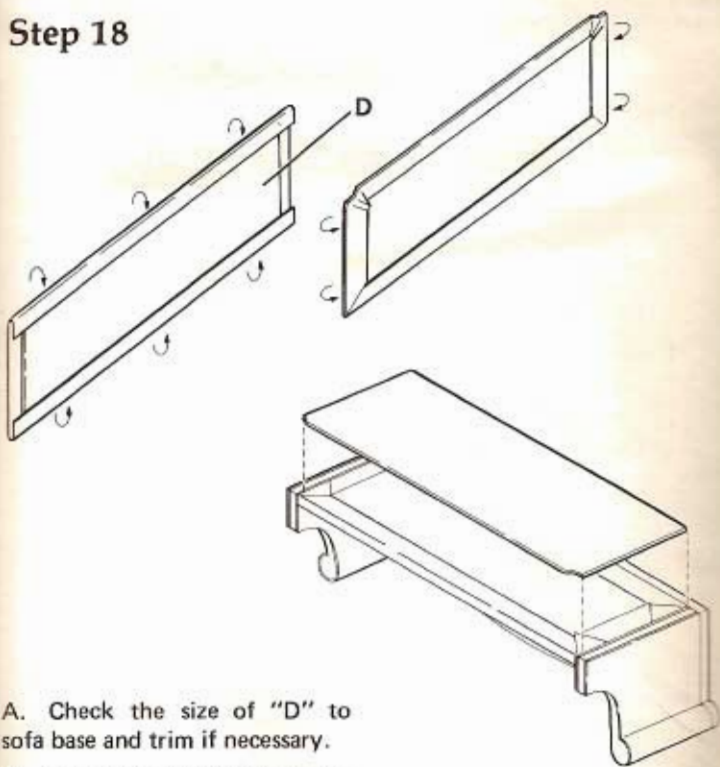
## Step 17



A. With the fabric covered side of the sofa base (Step 13) up, attach arms (Step 12). Ends of the sofa base should be saturated with glue to insure a tight bond.

B. With the fabric towards the outside, glue the back (Step 16) to the base and arm assembly.

## Step 18

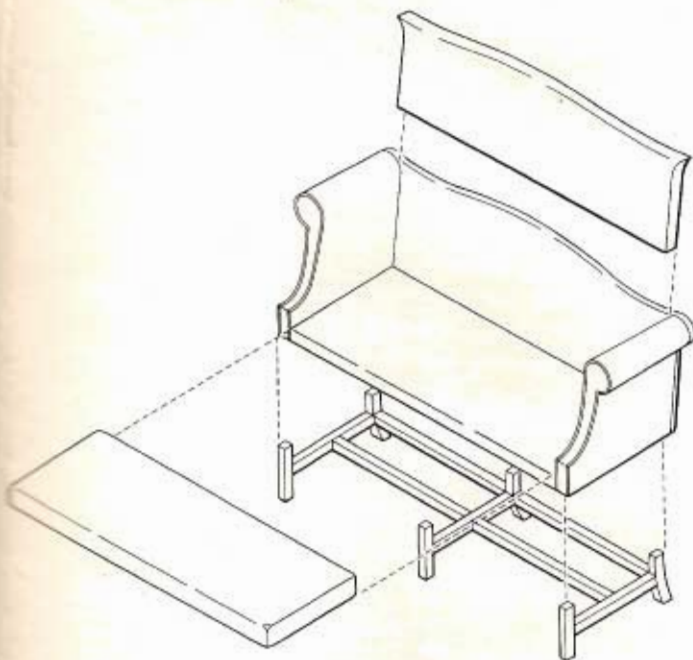


A. Check the size of "D" to sofa base and trim if necessary.

B. Cover "D" with fabric and glue on opposite surface.

C. Attach fabric covered "D" to base of couch with the fabric out.

## Step 19



A. Glue the finished leg assembly (Step 2) to the base of the sofa.

B. Install cushions.