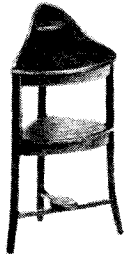


COLLECTORS NO. 40056



**Hepplewhite
Corner Washstand**
Circa 1800

Prior to the introduction of indoor plumbing, most sleeping quarters contained some type of washstand at which the resident could bathe.

One of the most popular designs was the corner washstand, since it took up less space and could be tucked away in an unused portion of the room. The one we have selected is fairly typical of many that were constructed by, or in the style of, George Hepplewhite.

A departure from the usual straight legs favored by Hepplewhite, this stand has front legs that flare with a gentle curve. This makes this design slightly more graceful and above all more stable.

The small shelf was used to hold either a soap dish, or sometimes a small mirror for shaving. Some versions of this style had a small drawer just below the basin shelf. In others, the basin shelf had a large hole cut in it to accommodate the basin.

Few of these stands have survived and so they are considered a real prize by collectors.

ASSEMBLY AND FINISHING INSTRUCTIONS



AUTHENTIC REPRODUCTIONS IN MINIATURE.

The X-ACTO® House of Miniatures® Collectors Series of furniture and accessories have all been carefully researched by specialists through major museum and library collections to assure the highest quality of authenticity in reproduction. Details are ~~extraordinarily accurate to~~ satisfy the most discriminating miniaturist.

All wood parts are machined to assure accurate and precise acceptance of each piece by another.

For a complete catalog of the X-ACTO® HOUSE OF MINIATURES furniture line and accessories, write to:

X-ACTO® THE HOUSE OF MINIATURES Dept. KIT
45-35 Van Dam Street
Long Island City,
New York 11101

Please include \$2.00 for postage and handling.

INTRODUCTION

BEFORE STARTING

Identify and account for each part by placing it on the Layout Sheet (make sure the correct layout sheet is used when working on multi-kit Instruction Sheets). Should any parts be missing, send a post card to:

X-ACTO/The House of Miniatures
45-35 Van Dam Street
Long Island City, N.Y. 11101

Please print Name, Address, Part Number (Number from Layout Sheet) and Kit Name and Number on card when ordering.

SANDING

Before assembly, sand all the outer surfaces of individual parts with 220 grit sandpaper, or finer, sanded in the same direction as the wood grain until the surface is smooth. Take care not to round any edges or corners of the pieces. Finish sanding with 280 grit sandpaper.

PRE-ASSEMBLY

A. After sanding, check the proper location and fit of each part by assembling parts loosely, without gluing. Use the **DETAIL VIEWS** as a guide.

B. All parts for X-ACTO kits are made on precision milling machines. When adjustments are required, sand to fit.

TOOLS AND MATERIALS

A. The following tools will be helpful in constructing this kit:

1. Two-inch Sander, X-ACTO No. 7042
2. Small Clamp, X-ACTO No. 4003
3. X-ACTO Professional Finishing Kit (or equivalent, see note)

B. The following materials will be needed to construct this kit:

1. X-ACTO Tinted Glue (see note)
2. Sandpaper 220 and 280 grit
3. Steel Wool - Grade 0000
4. Small Artist's Brush

NOTE: The X-ACTO tinted glue is matched to the finish used in the Professional Finishing Kit. This will produce the authentic finish of the period in which the original Furniture was produced. When not using X-ACTO glue follow manufacturer's directions.

GLUING

A. Glue should be applied in small amounts to surface being joined. When gluing dado joints apply glue to dado only.

B. To ensure a tight fit, squeeze excess glue out of the joints. Hold glued parts together with clamps, rubber bands or weights on the parts.

C. Wipe off excess glue promptly.

D. Be sure a glued assembly has dried thoroughly before adding parts.

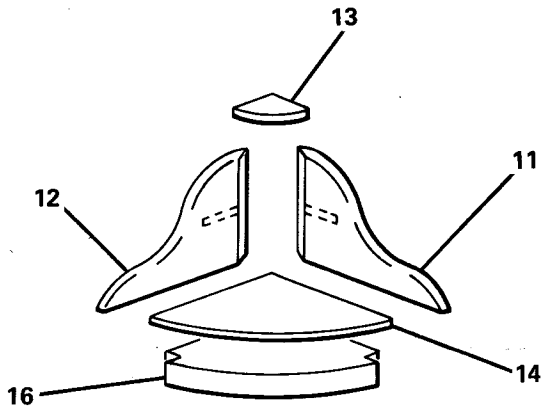
FINISHING

The X-ACTO Professional Finishing Kit enables you to finish your furniture by the same process used by the professional furniture maker. The end result is what is important — there are easier methods, but none that will give the quality results that this process will. If you use a finish other than X-ACTO's, refer to the manufacturer's directions.

Detail Views

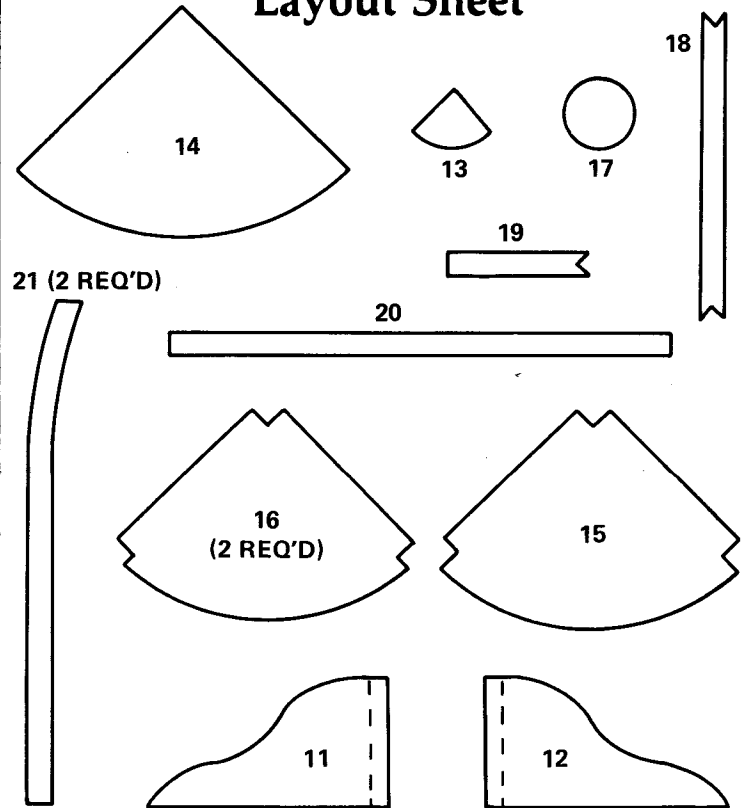
Kit 40056

Step 1

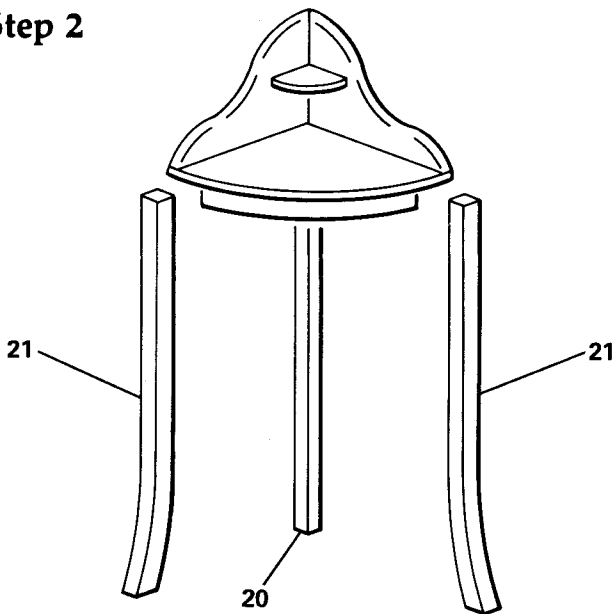


- A. Glue top (14) to apron (16) so that straight edges are flush. Sand front ends even with front edge of top.
- B. Glue splash boards (11) and (12) to edge of top (14) joining mitered ends in back corner.
- C. Glue soap dish shelf (13) in corner approximately 1/3 of the way down from the top.

Layout Sheet

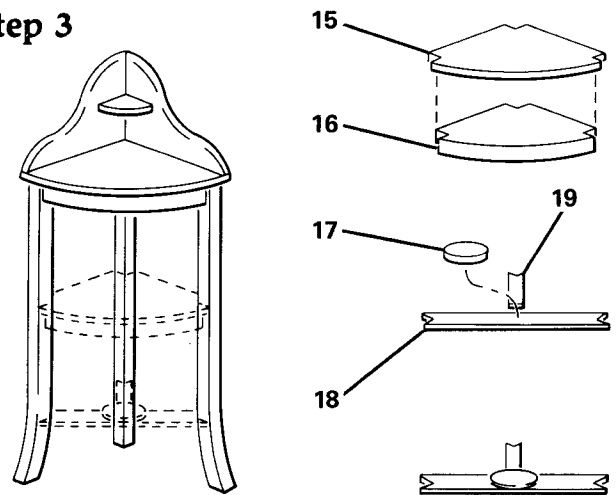


Step 2



- A. Glue curved legs (21) to notches in the front of the apron. Legs should be positioned so that they flair outward.
- B. Glue straight leg (20) into notch at the rear of the apron. Allow all three legs to set firmly before proceeding. Check that assembly sets level. If not, sand legs to correct tilt.

Step 3



- A. Glue shelf (15) to apron (16) so that straight edges and notches line up. Glue to legs approximately 3/4 of an inch below the apron.
- B. Glue spreader (18) between front legs just above the curve in the legs approximately 1/2 inch up from the bottom.
- C. Glue spreader (19) between the rear leg and the front spreader (18). Glue trim (17) on top of the two spreaders so that it is centered forward on front spreader (18) and left to right on the rear spreader (19).
- D. Apply Final Finish.