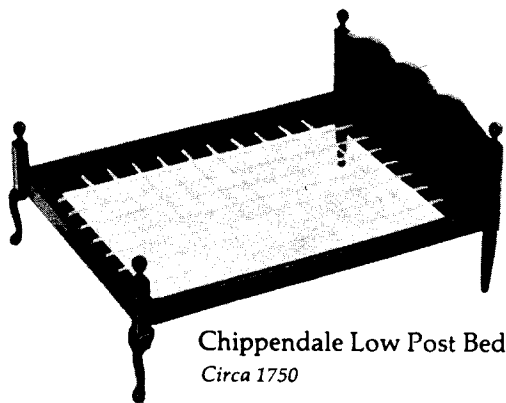


COLLECTORS NO. 40033



Chippendale Low Post Bed
Circa 1750

To be entirely correct this should be referred to as a bedstead since the mattress itself is the actual bed. Today when we think of the bedsteads of this era we naturally picture in our minds the attractive canopy or tester beds but in reality throughout the land in the 18th century the simple bedstead was by far the most common.

Originally sleeping arrangements were quite crude, just a mattress or pad placed on the floor. Later the mattress was placed on a frame to raise it above the drafty floor. A rope support was added for greater comfort, then posts were added, along with a head board, for decoration. Still later curtains were hung from a frame on the ceiling as further protection from drafty rooms. The first true canopy bedsteads were probably the field or campaign beds so that the gentlemen officers could transport their comfort to the military encampments. Since the early low post bedsteads were relatively simple, few have survived.

ASSEMBLY AND FINISHING INSTRUCTIONS



AUTHENTIC REPRODUCTIONS IN MINIATURE

The X-ACTO® House of Miniatures Collectors Series™ of furniture and accessories have all been carefully researched by specialists through major museum and library collections to assure the highest quality of authenticity in reproduction. Details are extraordinarily accurate to satisfy the most discriminating miniaturist.

All wood parts are machined to assure accurate and precise acceptance of each piece by another.

For a complete catalog of the X-ACTO® HOUSE OF MINIATURES furniture line and accessories, write to:

THE HOUSE OF MINIATURES
Customer Service - Catalog Dept.
80 Newbridge Road
Bergenfield, NJ 07621

INTRODUCTION

BEFORE STARTING

Identify and account for each part by placing it on the Layout Sheet (make sure the correct layout sheet is used when working on multi-kit Instruction Sheets). Should any parts be missing, send a post card to:

THE HOUSE OF MINIATURES
Customer Service - Parts Dept.
2000 Craftmark Center
Statesville, NC 28677-2000

Please print Name, Address, Part Number (Number from Layout Sheet) and Kit Name and Number on card when ordering.

SANDING

Before assembly, sand all the outer surfaces of individual parts with 220 grit sandpaper, or finer, sanded in the same direction as the wood grain until the surface is smooth. Take care not to round any edges or corners of the pieces. Finish sanding with 280 grit sandpaper.

PRE-ASSEMBLY

- After sanding, check the proper location and fit of each part by assembling parts loosely, without gluing. Use the **DETAIL VIEWS** as a guide.
- All parts for X-ACTO kits are made on precision milling machines. When adjustments are required, sand to fit.

TOOLS AND MATERIALS

- The following tools will be helpful in constructing this kit:
 - Pin Vise X-ACTO No. 7144
 - Two-inch Sander, X-ACTO No. 7042
 - Large Clamp, X-ACTO No. 4004
 - Small Clamp, X-ACTO No. 4003
 - X-ACTO Professional Finishing Kit (or equivalent, see note)
- The following materials will be needed to construct this kit:
 - X-ACTO Tinted Glue (see note)
 - Sandpaper - 220 and 280 grit
 - White glue (or equivalent)
 - Small Artist's Brush

NOTE: The X-ACTO tinted glue is matched to the finish used in the Professional Finishing Kit. This will produce the authentic finish of the period in which the original Furniture was produced. When not using X-ACTO glue follow manufacturer's directions.

GLUING

- Glue should be applied in small amounts to surface being joined. When gluing dado joints apply glue to dado only.
- To ensure a tight fit, squeeze excess glue out of the joints. Hold glued parts together with clamps, rubber bands or weights on the parts.
- Wipe off excess glue promptly.
- Be sure a glued assembly has dried thoroughly before adding parts.

FINISHING

The X-ACTO Professional Finishing Kit enables you to finish your furniture by the same process used by the professional furniture maker. The end result is **what is important** — there are easier methods, but none that will **give** the quality results that this process will. If you use a finish other than X-ACTO's, refer to the manufacturer's directions.

Detail Views

KIT 40033

55
(4 REQ'D)



6
(2 REQ'D)



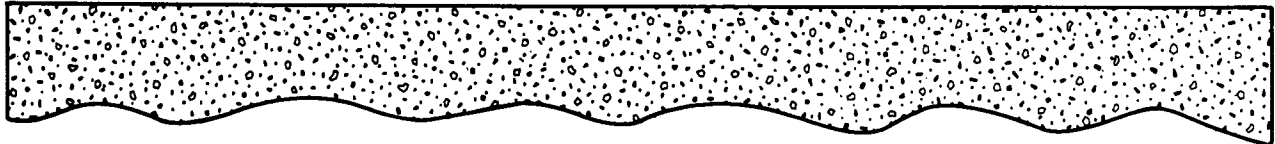
Layout Sheet

Parts for Steps 4 thru 6

56
(2 REQ'D)

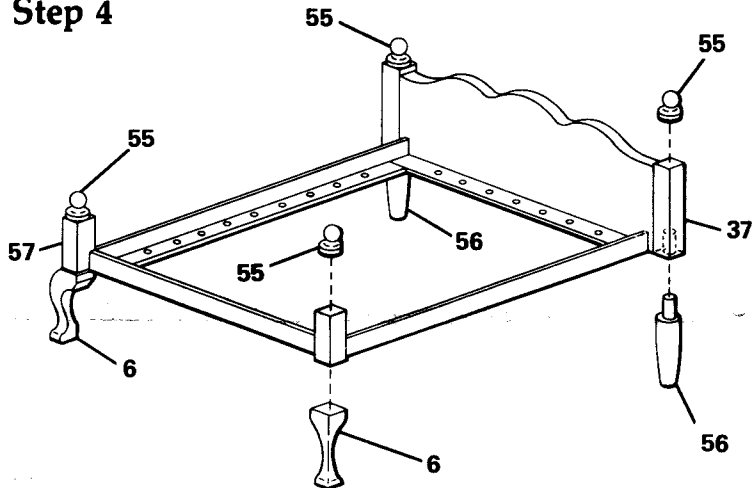


STRING



31
FOAM
MATTRESS

Step 4

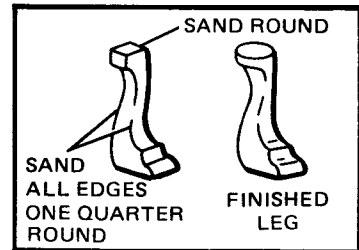


A. Glue two legs (56) into posts (37) at headboard.

B. Glue two cabriole legs (6) to posts (57) at foot of bed.

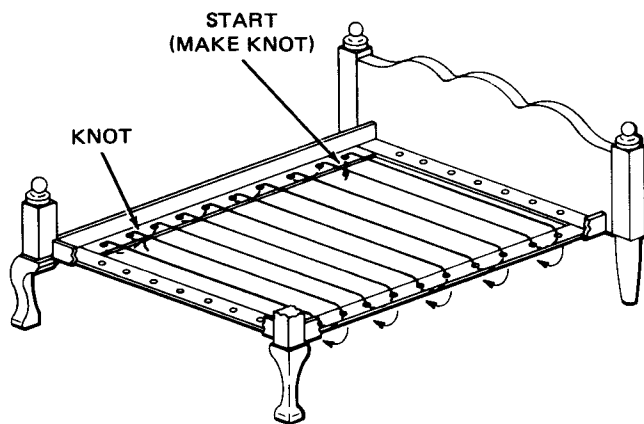
C. Glue knobs (55) to top center of posts (37) and (57).

NOTE: Refer to Final Finishing.



NOTE: Cabriole legs may be shaped prior to assembly, by sanding as shown.

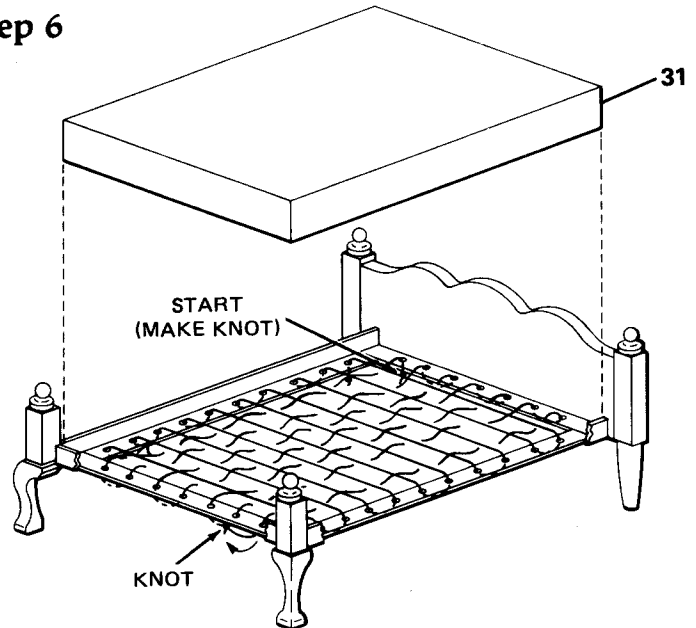
Step 5



NOTE: Dip one end of string in glue, remove excess and allow to dry. This will assist in the stringing procedure.

A. Tie a knot in other end of string and reeve glued tip back and forth across frame keeping string tight. Tie off end of string with a knot.

Step 6

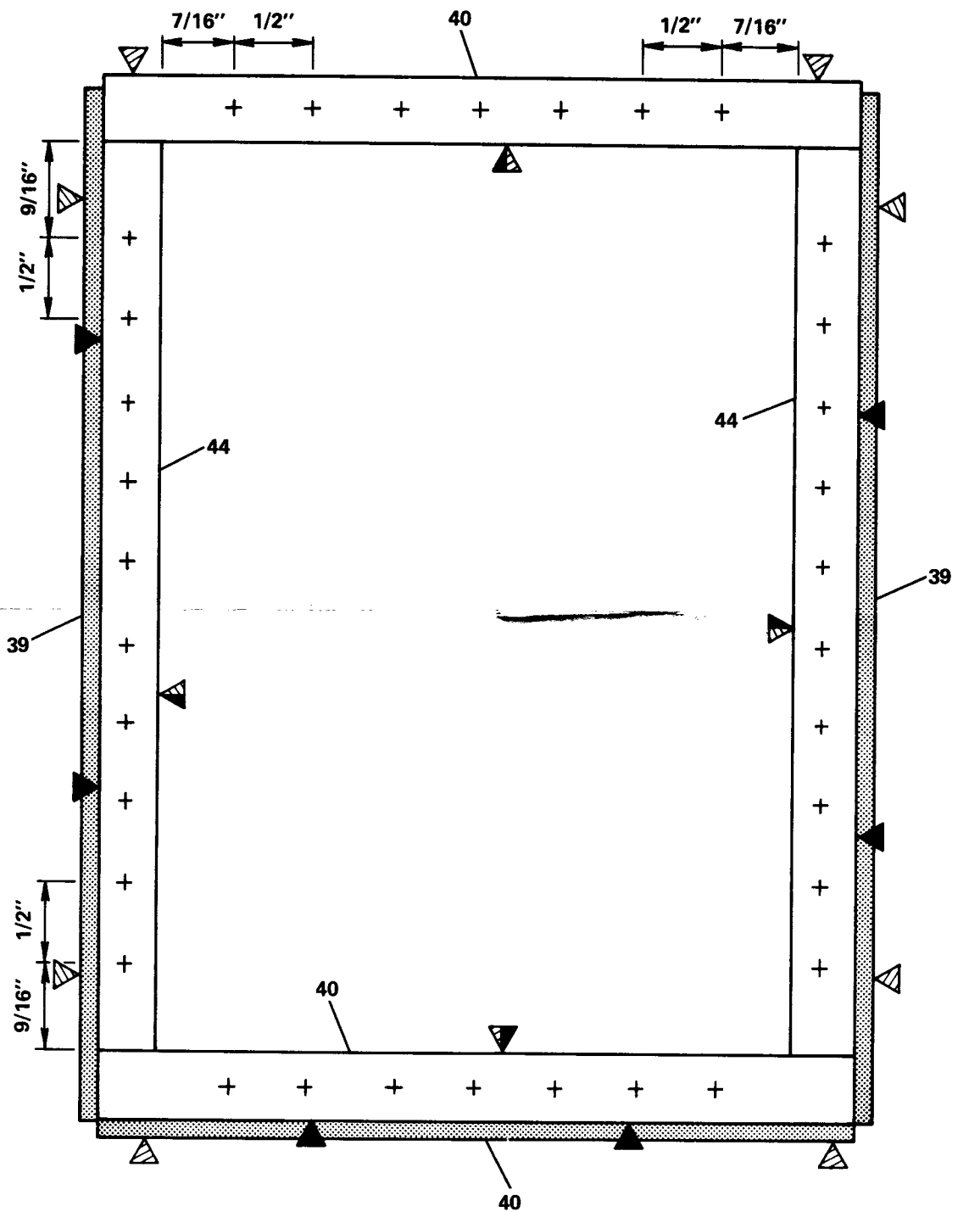




A. Repeat step 5 for stringing in opposite direction, weaving string over and under string installed in step 5.

B. Place mattress (31) in position on bed.

Alignment Patterns

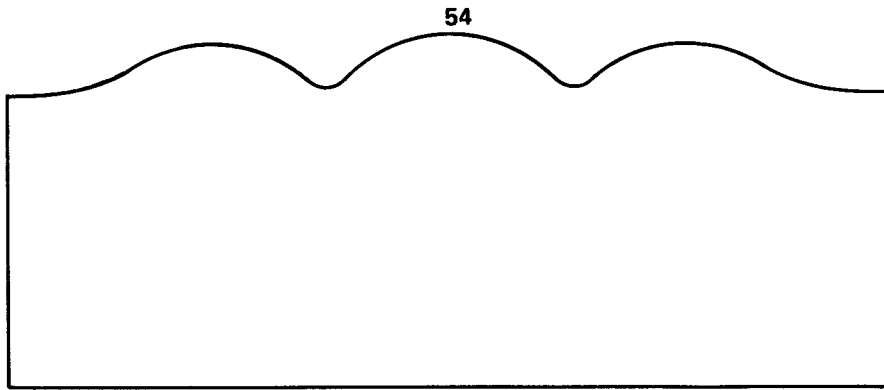
KIT 40033



-  ALIGNMENT PATTERN NO. 1
-  ALIGNMENT PATTERN NO. 2

Detail Views

KIT 40033



57
(2 REQ'D)

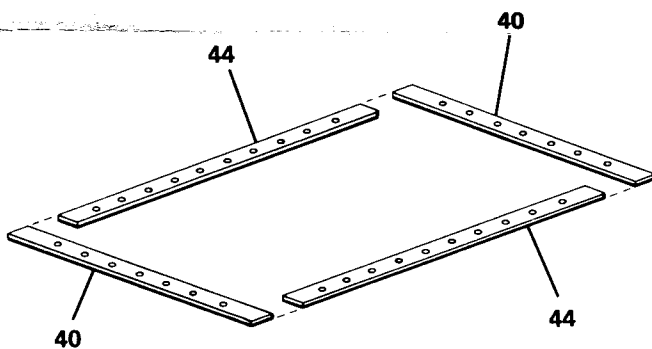


Layout Sheet

Parts for Steps 1 thru 3



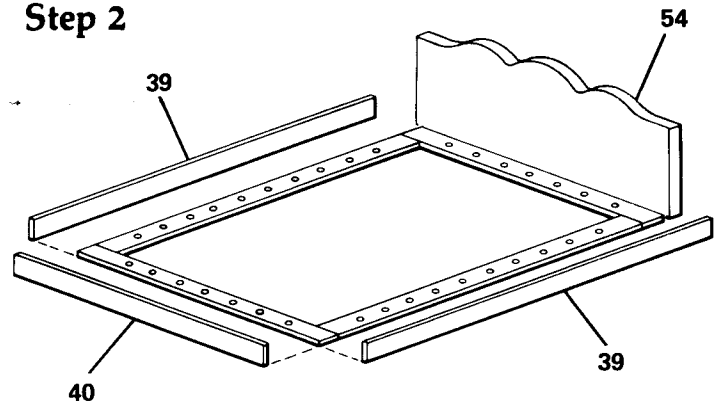
Step 1



A. Utilizing Alignment Pattern No. 1, glue ends (40) to sides (44).

B. After glue has set drill for string with a number 52 drill bit utilizing Alignment Pattern No. 1.

Step 2

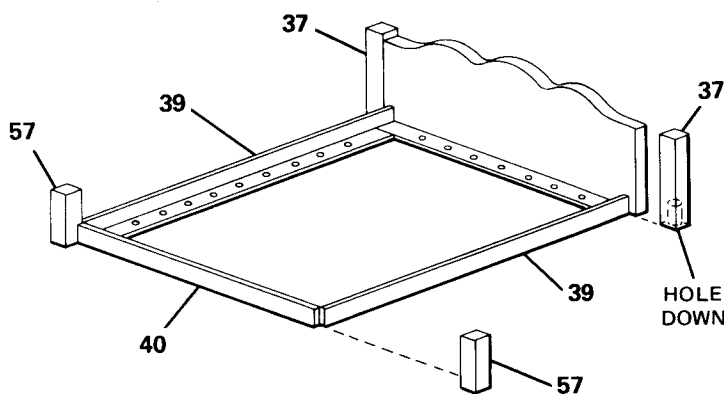


A. Utilizing Alignment Pattern No. 2, glue side rails (39) and footboard (40) to frame assembly.

NOTE: Ensure headboard is centered and flush with frame assembly.

B. Glue headboard (54) to frame assembly.

Step 3



NOTE: Ensure holes in rear posts face down.

A. Glue two posts (37) to headboard keeping bottom of post flush with bottom of headboard.

B. Glue two posts (57) to the footboard (40) and side rail (39) keeping bottom of post flush with bottom of footboard.