

COLLECTORS NO. 40069



Tavern Table
Circa 1700-1725

The Tavern, or Tap-Room, table we have reproduced in miniature is typical of the many different designs produced during the early part of the 18th century. They were, of course, designed, as their name implies, for use in taverns, but were also found in many homes of the period. Due to their small size and usefulness many have survived to become prized collector's items today.

The legs were usually made from a hardwood such as maple, or oak, and the tops were often made of pine. The original of our reproduction would have had its legs, which are a vase and ring design, turned on a "great wheel" lathe. This device was the forerunner of our modern lathe and was powered by a hired hand, or apprentice, who cranked a large fly-wheel that was connected to, and drove the lathe through a belt and pulley arrangement.

The four plain and sturdy spreaders indicate that this particular table was built for heavy usage and the amount of wear on the original indicates that it got just that. One can almost picture the patrons of a Colonial tavern sitting around this table discussing the problems of the 18th century world and yearning for the "good old" days.

INTRODUCTION

BEFORE STARTING

Identify and account for each part by placing it on the Layout Sheet (make sure the correct layout sheet is used when working on multi-kit Instruction Sheets). Should any parts be missing, send a post card to:

THE HOUSE OF MINIATURES
Customer Service - Parts Dept.
147 Lake Street
Delaware, OH 43015

Please print Name, Address, Part Number (Number from Layout Sheet) and Kit Name and Number on card when ordering.

SANDING

Before assembly, sand all the outer surfaces of individual parts with 220 grit sandpaper, or finer, sanded in the same direction as the wood grain until the surface is smooth. Take care not to round any edges or corners of the pieces. Finish sanding with 280 grit sandpaper.

PRE-ASSEMBLY

A. After sanding, check the proper location and fit of each part by assembling parts loosely, without gluing. Use the **DETAIL VIEWS** as a guide.

B. All parts for CRAFTMARK kits are made on precision milling machines. When adjustments are required, sand to fit.

ASSEMBLY AND FINISHING INSTRUCTIONS



AUTHENTIC REPRODUCTIONS IN MINIATURE

The CRAFTMARK House of Miniature Collectors Series of furniture and accessories have all been carefully researched by specialists through major museum and library collections to assure the highest quality of authenticity in reproduction. Details are extraordinarily accurate to satisfy the most discriminating miniaturist.

All wood parts are machined to assure accurate and precise acceptance of each piece by another.

For a complete catalog of the CRAFTMARK HOUSE OF MINIATURES furniture line and accessories, write to:

THE HOUSE OF MINIATURES
Customer Service-Catalog Dept.
147 Lake Street
Delaware, OH 43015

Please include \$2.00 for Postage & Handling.

TOOLS AND MATERIALS

- A. The following tools will be helpful in constructing this kit:
1. Two-inch Sander
 2. Small Clamp
 3. CRAFTMARK Professional Finishing Kit (or equivalent, see note)
- B. The following materials will be needed to construct this kit:
1. CRAFTMARK Tinted Glue (see note)
 2. Sandpaper-220 and 280 grit
 3. White glue (or equivalent)
 4. Small Artist's Brush

NOTE: The CRAFTMARK tinted glue is matched to the finish used in the Professional Finishing Kit. This will produce the authentic finish of the period in which the original Furniture was produced. When not using our glue follow manufacturer's directions.

GLUING

- A. Glue should be applied in small amounts to surface being joined. When gluing dado joints apply glue to dado only.
- B. To ensure a tight fit, squeeze excess glue out of the joints. Hold glued parts together with clamps, rubber bands or weights on the parts.
- C. Wipe off excess glue promptly.
- D. Be sure a glued assembly has dried thoroughly before adding parts.

FINISHING

The CRAFTMARK Professional Finishing Kit enables you to finish your furniture by the same process used by the professional furniture maker. The end result is what is important—there are easier methods, but none that will give the quality results that this process will. If you use a finish other than CRAFTMARK'S refer to the manufacturer's directions.

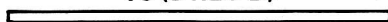
Detail Views

Kit 40069

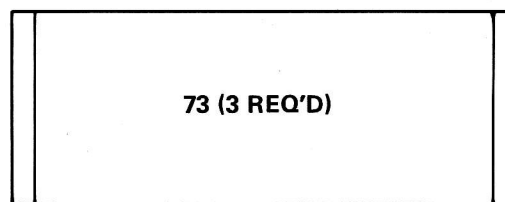
Layout Sheet



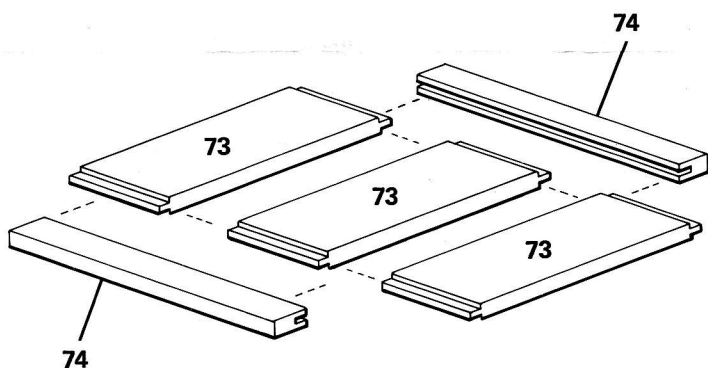
78 (3 REQ'D)



77 (4 REQ'D)



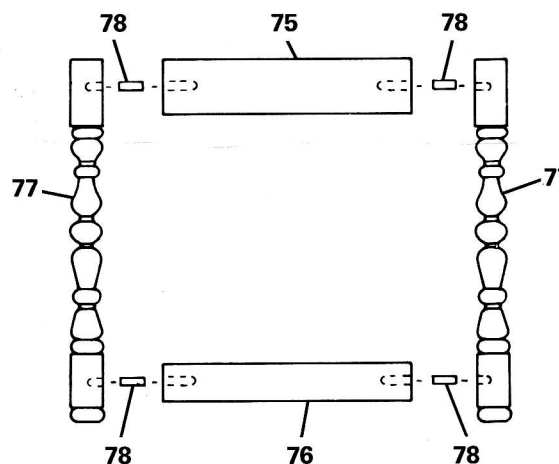
Step 1



A. Glue the three table top pieces (73) together, then glue the ends (74) in place. Square the entire assembly and let the glue completely dry.

B. Sand all surfaces smooth.

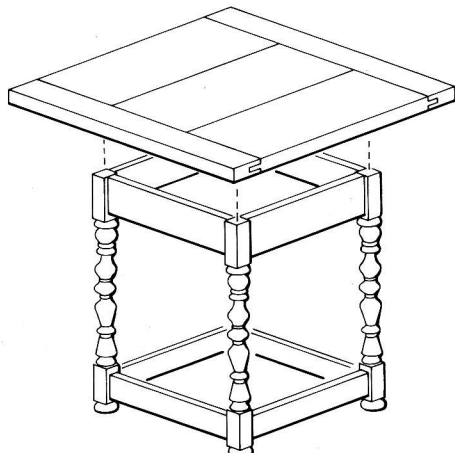
Step 2



A. Cut the dowels (78) into short pieces. Trim the dowels so the ends of short pieces. You will need sixteen [16] short pieces of snugly against the sides of the dowel to assemble this table.

B. Glue the dowels (78) into the holes in the ends of all four top rails (75) and all four spreaders (76). When they have dried repeat the process and join them together to form the base assembly.

Step 3



A. Center the top on the base. Mark its position with light pencil marks, then use these as a guide to glue the base to the top.

B. Apply the final finish.