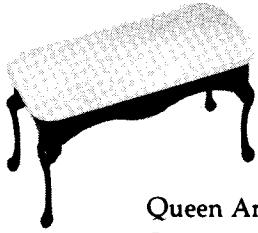


COLLECTORS NO. 40059



Queen Anne Serving Table
Circa 1740-1750

The original of this graceful serving table was built in the Queen Anne style around 1745, possibly in Philadelphia.

It is primarily a dining room piece and the marble top allowed the housewife, or servants, to place hot dishes on it without fear of damage to the table. In addition, the contrast of the marble to the rich mahogany finish provided a decorative touch to the room.

This type of table was equally at home in a large hall, the library, or even as a dressing table.

The original cabriole legs were graced by delicate shell carvings on the knees of the front legs and ended with trifid feet on all four legs. We have given you a head start on your decorating by reproducing the shell carving on the apron of your table.

Although marble was quarried in the Northeastern region of the Colonies early in the 18th Century it was fairly rare in furniture construction until the 19th Century.

ASSEMBLY AND FINISHING INSTRUCTIONS



AUTHENTIC REPRODUCTIONS IN MINIATURE

The X-ACTO® House of Miniatures® Collectors Series of furniture and accessories have all been carefully researched by specialists through major museum and library collections to assure the highest quality of authenticity in reproduction. Details are extraordinarily accurate to satisfy the most discriminating miniaturist.

All wood parts are machined to assure accurate and precise acceptance of each piece by another.

For a complete catalog of the X-ACTO® HOUSE OF MINIATURES furniture line and accessories, write to:

X-ACTO® THE HOUSE OF MINIATURES Dept. KIT
45-35 Van Dam Street
Long Island City,
New York 11101

Please include \$2.00 for postage and handling.

INTRODUCTION

BEFORE STARTING

Identify and account for each part by placing it on the Layout Sheet (make sure the correct layout sheet is used when working on multi-kit Instruction Sheets). Should any parts be missing, send a post card to:

X-ACTO/The House of Miniatures
45-35 Van Dam Street
Long Island City, N.Y. 11101

Please print Name, Address, Part Number (Number from Layout Sheet) and Kit Name and Number on card when ordering.

SANDING

Before assembly, sand all the outer surfaces of individual parts with 220 grit sandpaper, or finer, sanded in the same direction as the wood grain until the surface is smooth. Take care not to round any edges or corners of the pieces. Finish sanding with 280 grit sandpaper.

PRE-ASSEMBLY

A. After sanding, check the proper location and fit of each part by assembling parts loosely, without gluing. Use the DETAIL VIEWS as a guide.

B. All parts for X-ACTO kits are made on precision milling machines. When adjustments are required, sand to fit.

TOOLS AND MATERIALS

A. The following tools will be helpful in constructing this kit:

1. One-inch Sander, X-ACTO No 7041
2. Large Clamp, X-ACTO No 4004
3. X-ACTO Professional Finishing Kit (or equivalent, see note)

B. The following materials will be needed to construct this kit:

1. X-ACTO Tinted Glue (see note)
2. Sandpaper - 220 and 280 grit
3. White glue (or equivalent)
4. Small Artist's Brush

NOTE: The X-ACTO tinted glue is matched to the finish used in the Professional Finishing Kit. This will produce the authentic finish of the period in which the original Furniture was produced. When not using X-ACTO glue follow manufacturer's directions.

GLUING

A. Glue should be applied in small amounts to surface being joined. When gluing dado joints apply glue to dado only.

B. To ensure a tight fit, squeeze excess glue out of the joints. Hold glued parts together with clamps, rubber bands or weights on the parts.

C. Wipe off excess glue promptly.

D. Be sure a glued assembly has dried thoroughly before adding parts.

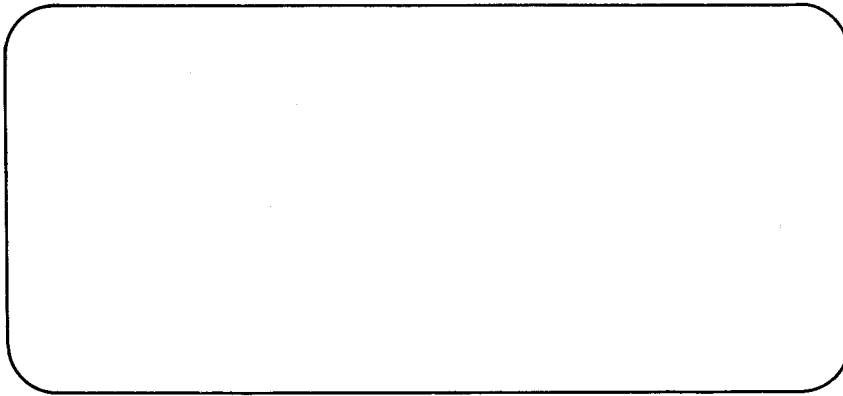
FINISHING

The X-ACTO Professional Finishing Kit enables you to finish your furniture by the same process used by the professional furniture maker. The end result is what is important — there are easier methods, but none that will give the quality results that this process will. If you use a finish other than X-ACTO's, refer to the manufacturer's directions.

Detail Views

KIT 40059

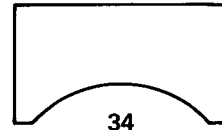
Layout Sheet



36



33
(2 REQ'D)



34
(2 REQ'D)

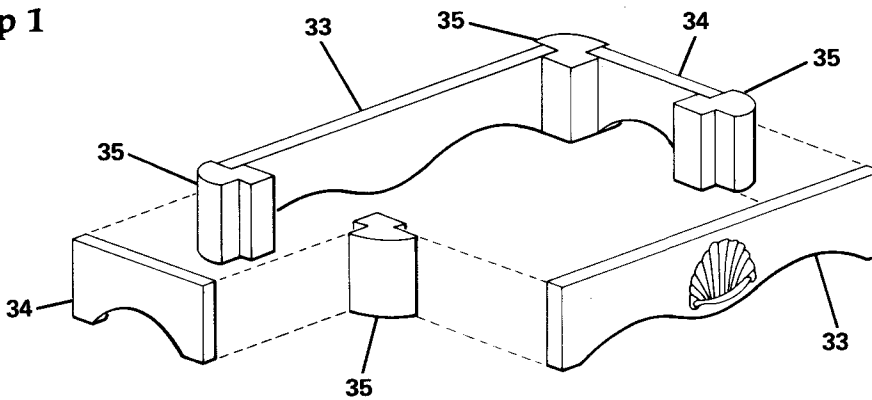


35
(4 REQ'D)



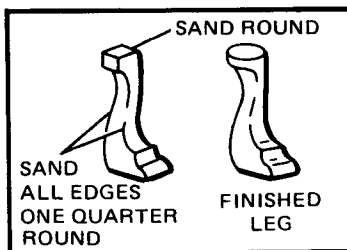
24
(4 REQ'D)

Step 1



A. Assemble frame by gluing side aprons (33) and end aprons (34) into notches of corners (35). Top edges of all parts should be flush. Square assembly and allow glue to set.

Step 2



NOTE: Legs may be shaped prior to assembly sanding as shown.

A. Shape legs (24) and glue them in place on the bottom corners of the frame.

B. Apply Final Finish to the table base at this time.

C. After finishing glue base assembly to the marble top (36) using either a tacky white glue or a "super" type glue. Inspect top prior to installing so that best side is installed up.

