

Queen Anne Table Circa 1740-1760



This table is a multi-purpose table used as a dressing table, small writing table, hall table, etc. Its graceful cabriole legs were either finished plain or relieved with delicate carvings. The skirt of the table was either straight, stepped as in our selection or elaborately scroll valanced in the front and two sides.

Most of these tables were constructed of mahogany with their lustrous high-lighted finish accented by highly polished brass hardware. Tables of the colonial period were seldom constructed to serve a single purpose and were valued for their utility as well as their appearance.

Seldom was a piece of furniture used strictly for decorative purposes. One of the reasons for the low survival rate of many types of furniture was the fact that they were well used in their lifetime.



AUTHENTIC REPRODUCTIONS IN MINIATURE

The X-ACTO® House of Miniatures Collectors Series® of furniture and accessories have all been carefully researched by specialists through major museum and library collections to assure the highest quality of authenticity in reproduction. Details are extraordinarily accurate to satisfy the most discriminating miniaturist.

All wood parts are machined to assure accurate and precise acceptance of each piece by another.

For a complete catalog of the X-ACTO® HOUSE OF MINIATURES furniture line and accessories, write to:

X-ACTO® THE HOUSE OF MINIATURES Dept. KIT  
45-35 Van Dam Street  
Long Island City,  
New York 11101

*Please include \$2.00 for postage and handling.*

### TOOLS AND MATERIALS

A. The following tools will be helpful in constructing this kit:

1. Pin Vise X-ACTO No. 7144
2. Two-inch Sander, X-ACTO No. 7042
3. Large Clamp, X-ACTO No. 7004
4. X-ACTO Professional Finishing Kit (or equivalent, see note)

B. The following materials will be needed to construct this kit:

1. X-ACTO Tinted Glue (see note)
2. Sandpaper - 220 and 280 grit
3. White glue (or equivalent)
4. Small Artist's Brush

**NOTE:** The X-ACTO tinted glue is matched to the finish used in the Professional Finishing Kit. This will produce the authentic finish of the period in which the original Furniture was produced. When not using X-ACTO glue follow manufacturer's directions.

### GLUING

A. Glue should be applied in small amounts to surface being joined. When gluing dado joints apply glue to dado only.

B. To ensure a tight fit, squeeze excess glue out of the joints. Hold glued parts together with clamps, rubber bands or weights on the parts.

C. Wipe off excess glue promptly.

D. Be sure a glued assembly has dried thoroughly before adding parts.

### FINISHING

The X-ACTO Professional Finishing Kit enables you to finish your furniture by the same process used by the professional furniture maker. The end result is what is important — there are easier methods, but none that will give the quality results that this process will. If you use a finish other than X-ACTO's, refer to the manufacturer's directions.

## INTRODUCTION

### BEFORE STARTING

Identify and account for each part by placing it on the Layout Sheet (make sure the correct layout sheet is used when working on multi-kit Instruction Sheets). Should any parts be missing, send a post card to:

X-ACTO/The House of Miniatures  
45-35 Van Dam Street  
Long Island City, N.Y. 11101

Please print Name, Address, Part Number (Number from Layout Sheet) and Kit Name and Number on card when ordering.

### SANDING

Before assembly, sand all the outer surfaces of individual parts with 220 grit sandpaper, or finer, sanded in the same direction as the wood grain until the surface is smooth. Take care not to round any edges or corners of the pieces. Finish sanding with 280 grit sandpaper.

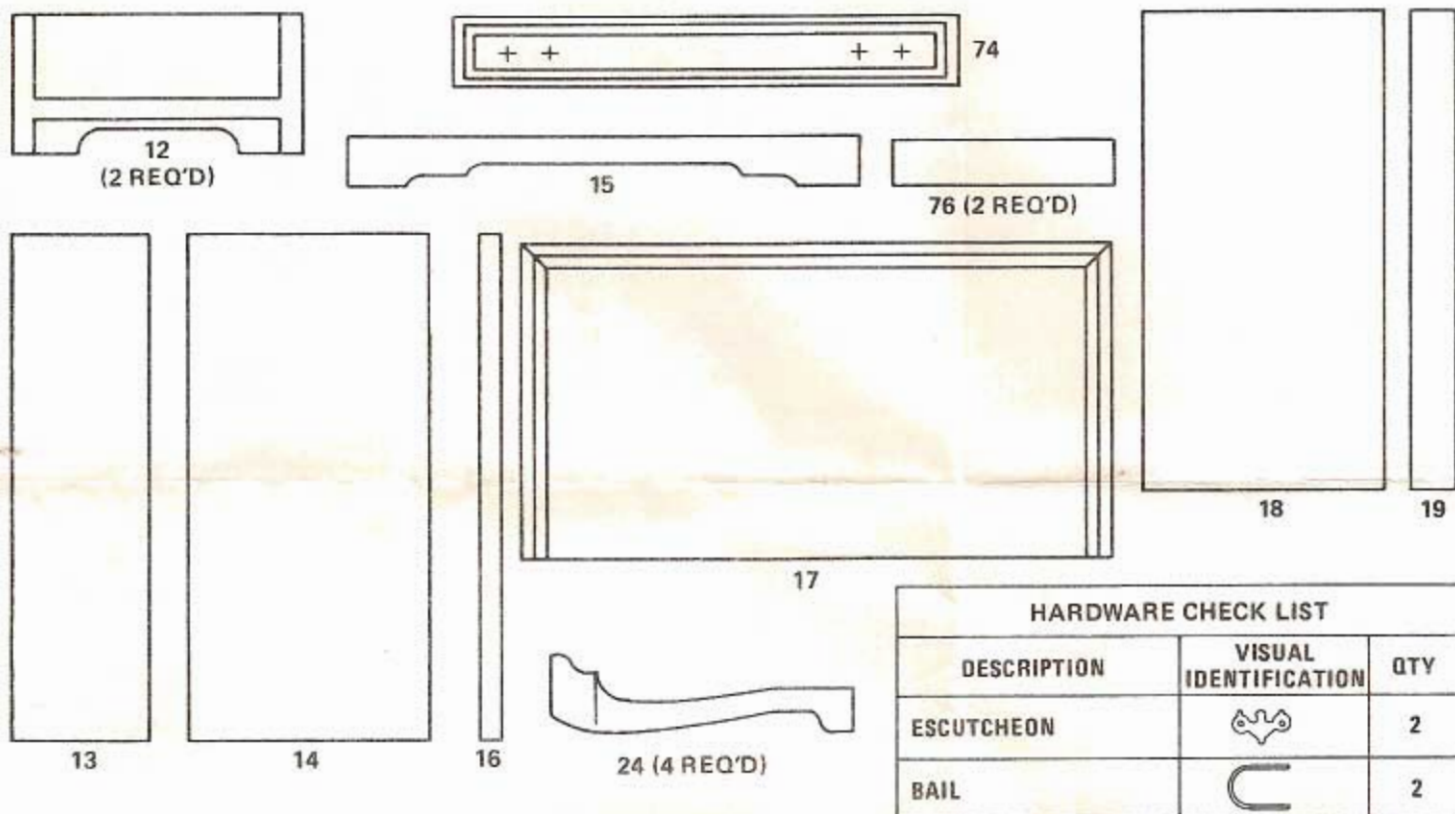
### PRE-ASSEMBLY

A. After sanding, check the proper location and fit of each part by assembling parts loosely, without gluing. Use the **DETAIL VIEWS** as a guide.

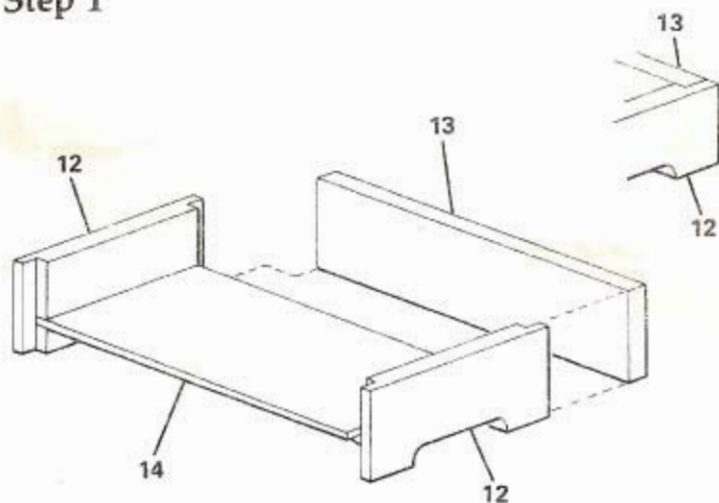
B. All parts for X-ACTO kits are made on precision milling machines. When adjustments are required, sand to fit.

# Layout Sheet

KIT 40038



## Step 1

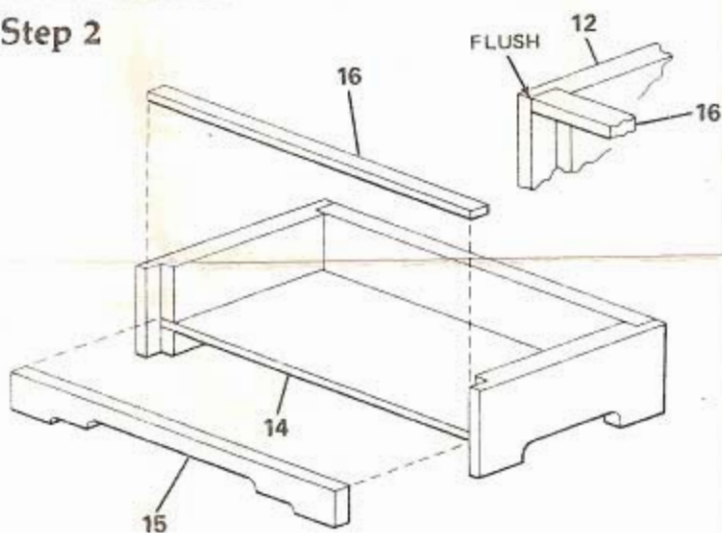


**NOTE:** Ensure all edges are properly aligned before glue sets.

A. Glue drawer divider (14) into dadoes of sides (12). Ensure front edge is flush.

B. Glue back (13) to sides (12) and divider (14). Ensure back (13) is flush with top and bottom.

## Step 2



**NOTE:** Ensure base front (15) is flush with top of drawer divider (14).

A. Glue base front (15) to sides (12) and drawer divider (14).

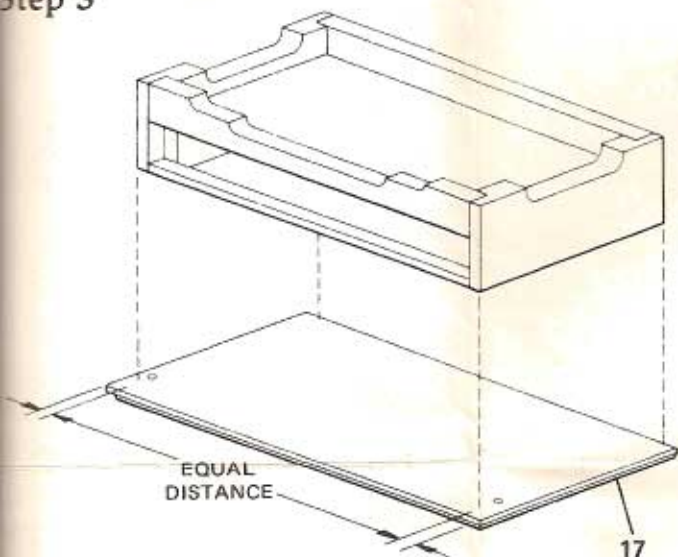
B. Glue front brace (16) to assembly. Brace shall be flush with top and front of sides (12).



# Detail Views

KIT 40038

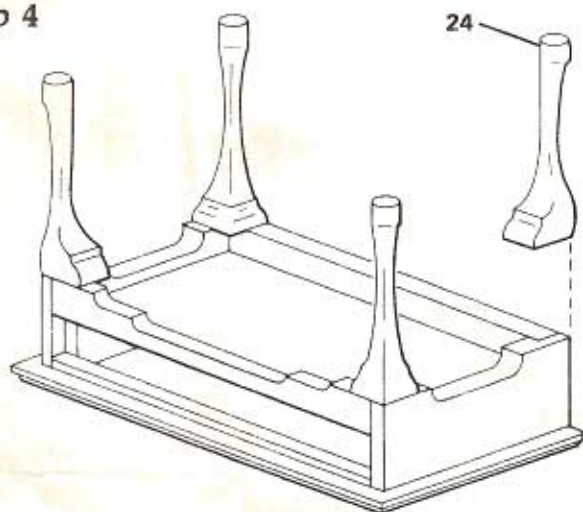
## Step 3



**NOTE:** Turn assembly upside down and place on top (17). Position assembly so the back edges are flush and the end overlaps are the same. Indicate position with a small pin hole.

A. With table top (17) resting on a clean flat surface glue table assembly to top. Ensure back is flush and sides align with pin holes.

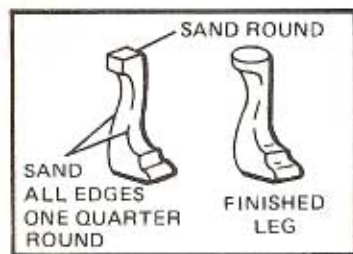
## Step 4



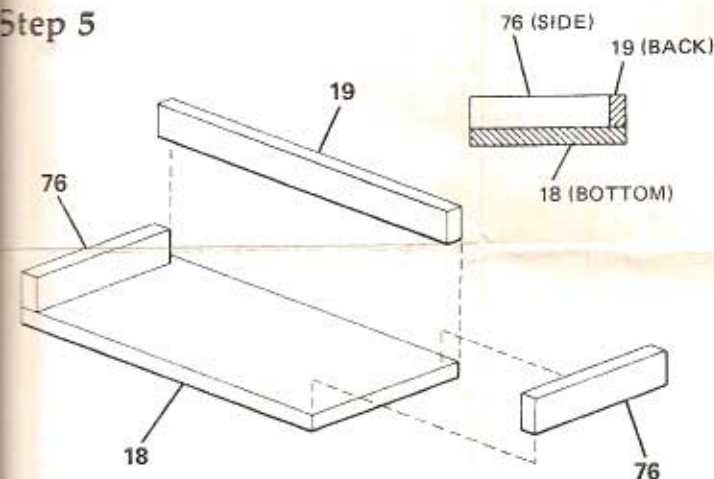
**NOTE:** Legs may be shaped prior to assembly.

A. Shape legs by sanding the edges. Sand base of leg until it is round.

B. Glue legs (24) to bottom of assembly keeping outside edges of legs flush with sides of assembly.



## Step 5



**NOTE:** Use white glue for assembly of drawer if inside is not going to be stained.

A. Glue drawer sides (76) to bottom (18) making certain they are flush with front edge.

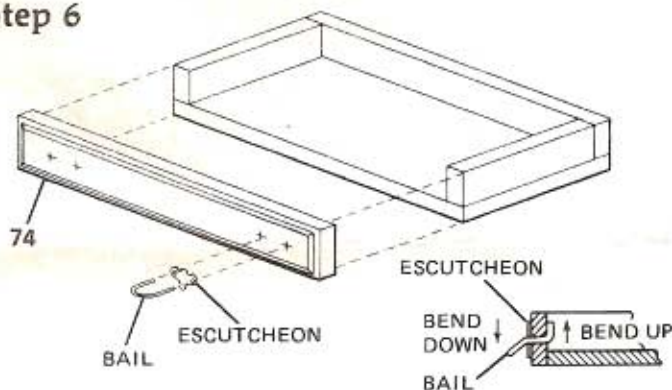
B. Glue drawer back (19) to bottom (18) and rear of sides (76).

C. Mark position of escutcheons on drawer front (74) with pin using layout sheet as a guide.

D. Drill through holes as marked using a No. 65 drill bit.

**NOTE:** Refer to Final Finishing for the table and the drawer front.

## Step 6



**NOTE:** Drawer front and hardware are installed after Final Finishing. Before gluing, center front (74) on assembly and indicate overlap position of front by placing small pin marks on back side of drawer front.

A. Glue front (74) to sides (76) and bottom (18). Align horizontally with pre-measured pin marks.

B. Press bail through escutcheon and apply a small amount of white glue to back of plate.

C. Insert bail in previously made holes in drawer front.

D. Bend up protruding ends and bend down front of bail.

E. Insert drawer into finished table assembly.