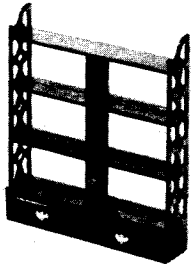


COLLECTORS NO. 40032



Chippendale
Hanging Shelf
Circa 1760

This hanging shelf, originally was, and also in our miniature, made of mahogany. The shelves and two convenient drawers are supported on each end by a frame of delicate fretwork.

Chippendale designed many styles of hanging shelves which ranged from the delicately carved, such as this version, to the elaborately mitered Chinese designs.

These shelves had a multitude of uses. The particular one we have copied was used as a bookcase in the offices of the Royal Governor of Virginia in the early 18th century. ~~Others had a more humble application.~~

As trade with the Far East increased and the Chinese motif became prevalent these lacey, delicate shelves became the ideal place to display the fine porcelain, and enamel vases and statuary brought home from China by our newly developing merchant fleet.

The finish on shelves such as was often in the rich dark mahogany finish typical of the furniture of the period, but later it was not uncommon to see them japanned or painted.

Since the usefulness of these shelves didn't diminish with time, many are to be seen in museums across the country and some are still in use in homes today.

ASSEMBLY AND FINISHING INSTRUCTIONS



AUTHENTIC REPRODUCTIONS IN MINIATURE

The X-ACTO® House of Miniatures Collectors Series® of furniture and accessories have all been carefully researched by specialists through major museum and library collections to assure the highest quality of authenticity in reproduction. Details are extraordinarily accurate to satisfy the most discriminating miniaturist.

All wood parts are machined to assure accurate and precise acceptance of each piece by another.

For a complete catalog of the X-ACTO® HOUSE OF MINIATURES furniture line and accessories, write to:

THE HOUSE OF MINIATURES
Customer Service - Catalog Dept.
80 Newbridge Road
Bergenfield, NJ 07621

INTRODUCTION

BEFORE STARTING

Identify and account for each part by placing it on the Layout Sheet (make sure the correct layout sheet is used when working on multi-kit Instruction Sheets). Should any parts be missing, send a post card to:

THE HOUSE OF MINIATURES
Customer Service - Parts Dept.
2000 Craftmark Center
Statesville, NC 28677-2000

Please print Name, Address, Part Number (Number from Layout Sheet) and Kit Name and Number on card when ordering.

SANDING

Before assembly, sand all the outer surfaces of individual parts with 220 grit sandpaper, or finer, sanded in the same direction as the wood grain until the surface is smooth. Take care not to round any edges or corners of the pieces. Finish sanding with 280 grit sandpaper.

PRE-ASSEMBLY

A. After sanding, check the proper location and fit of each part by assembling parts loosely, without gluing. Use the **DETAIL VIEWS** as a guide.

B. All parts for X-ACTO kits are made on precision milling machines. When adjustments are required, sand to fit.

TOOLS AND MATERIALS

A. The following tools will be helpful in constructing this kit:

1. Pin Vise X-ACTO No. 7144
2. Two-inch Sander, X-ACTO No. 7042
3. Large Clamp, X-ACTO No. 7004
4. X-ACTO Professional Finishing Kit (or equivalent, see note)

B. The following materials will be needed to construct this kit:

1. X-ACTO Tinted Glue (see note)
2. Sandpaper - 220 and 280 grit
3. White glue (or equivalent)
4. Small Artist's Brush

NOTE: The X-ACTO tinted glue is matched to the finish used in the Professional Finishing Kit. This will produce the authentic finish of the period, which the original Furniture was produced. When not using X-ACTO glue follow manufacturer's directions.

GLUING

A. Glue should be applied in small amounts to surface being joined. When gluing dado joints apply glue to dado only.

B. To ensure a tight fit, squeeze excess glue out of the joints. Hold glued parts together with clamps, rubber bands or weights on the parts.

C. Wipe off excess glue promptly.

D. Be sure a glued assembly has dried thoroughly before adding parts.

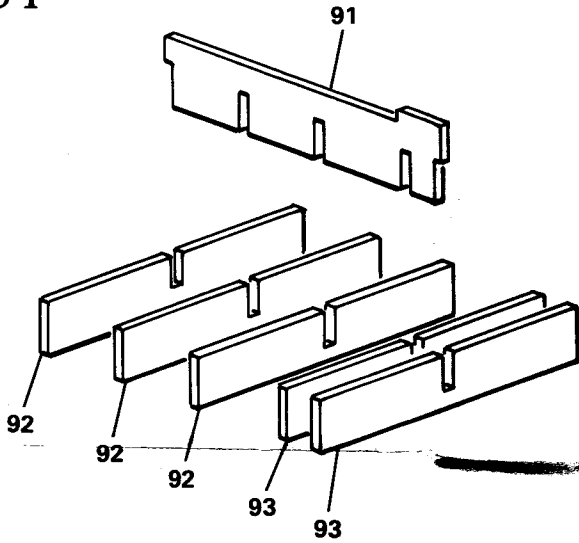
FINISHING

The X-ACTO Professional Finishing Kit enables you to finish your furniture by the same process used by the professional furniture maker. The end result is what is important — there are easier methods, but none that will give the quality results that this process will. If you use a finish other than X-ACTO's, refer to the manufacturer's directions.

Detail Views

KIT 40032

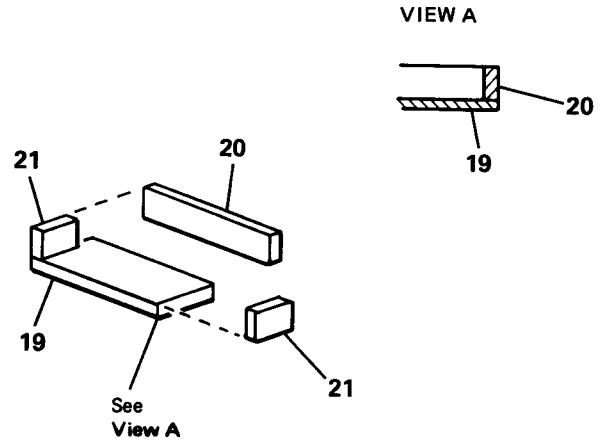
Step 1



- A. Apply a small amount of glue to the notches in the vertical divider (91).
 B. Assemble shelves (92) and (93) and place assembly on alignment pattern No. 1.

NOTE: Allow assembly to dry thoroughly. Do not remove from alignment pattern.

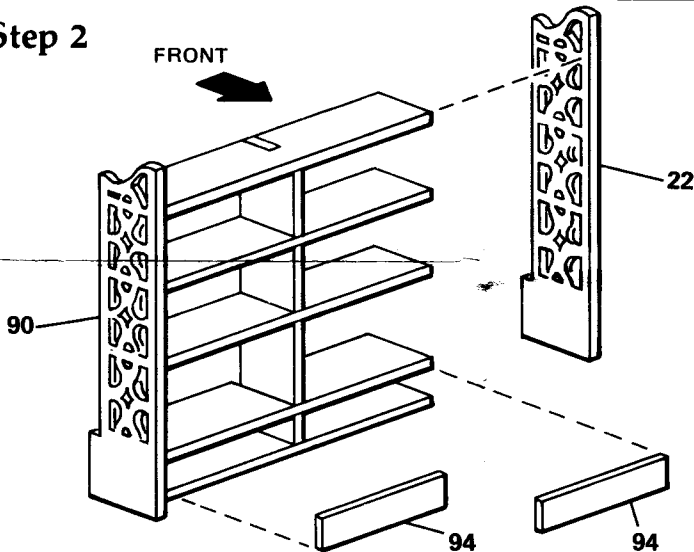
Step 3



NOTE: Use white glue for assembly of drawers, if inside is not going to be stained.

- A. Mark position of escutcheon with pin using layout sheet as a guide.
 B. Drill through holes as marked; using a 65 drill bit.
 C. Glue sides (21) to bottom (19) making certain they are flush with front edges.
 D. Glue back (20) to bottom and against sides.

Step 2

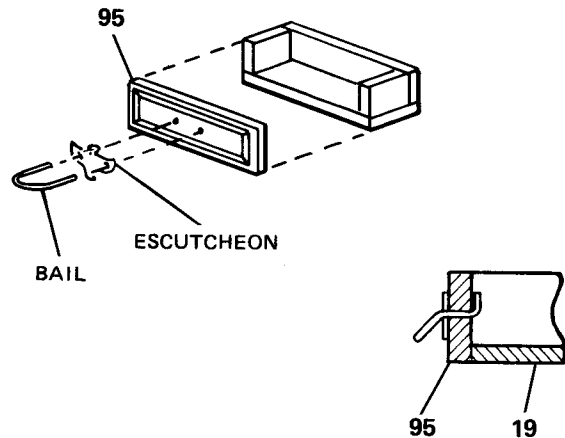


- A. Trim edges of sides (22) and (90) to match layout sheet.
 B. Glue utilizing alignment, left side (22) to assembly.

NOTE: The manufacturing process of the sides results in a slight bevel which is evident by larger openings on one side. The larger openings are assembled to the outside of the assembly. Sand sides until smooth.

C. Glue right side (90) to assembly, allowing assembly to dry prior to removing from alignment pattern.
 D. Glue backs (94) into position.

Step 4



NOTE: Drawer fronts and hardware are installed after all Final Finishing steps are complete.

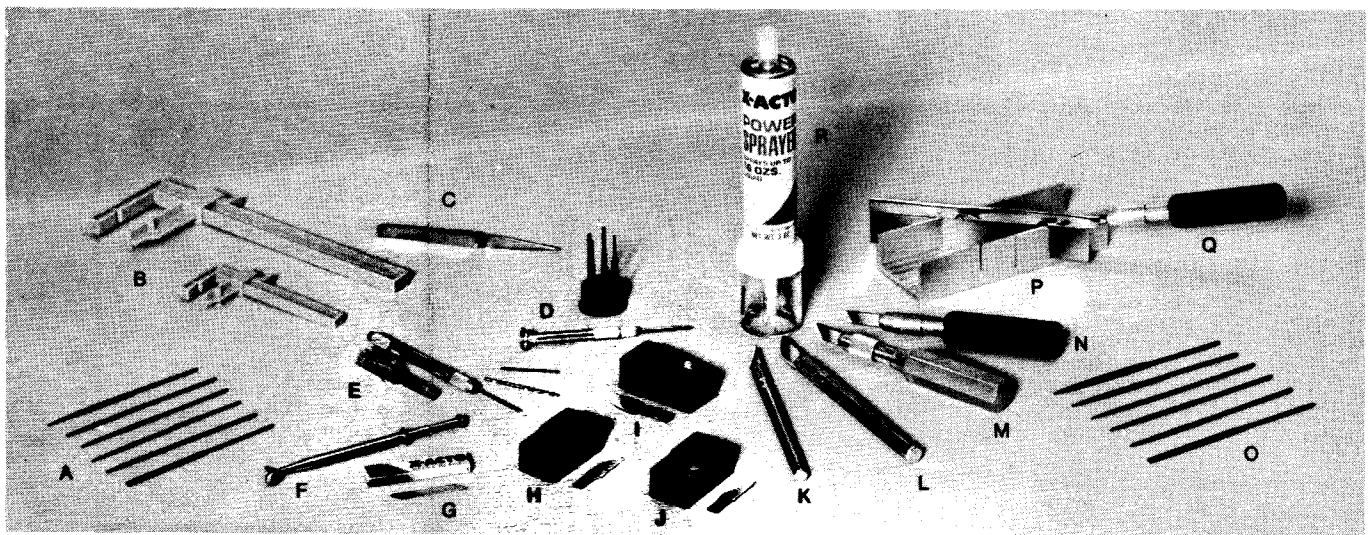
- A. Glue front (95) to front edges of sides and bottom.
 B. Pass bail through escutcheon and apply a small amount of white glue to back of plate.
 C. Install bail through holes in drawer front.
 D. Bend up protruding ends and bend down front of handle.

Layout Sheet

KIT 40032

HARDWARE		
ITEM	DESCRIPTION	QTY
BAIL		2
ESCUTCHEON		2

Alignment Patterns



X-ACTO® precision tools make fine miniatures.

A. MINIATURE FILE SET

6 miniature needle files. 3 1/4" long. For intricate filing. Vinyl storage pouch. No. 7365

B. PLASTIC CLAMPS

Light duty plastic clamps for delicate work. Notched jaw allows grip of round parts. Smooth face prevents damage to workpiece.

Small plastic clamp. 3 1/4" opening with 1" throat depth.

2 per card: No. 7003

Large plastic clamp. 7 1/4" opening with 2 1/8" throat depth.

2 per card: No. 7004

C. SELF-CLOSING POINTED TWEEZER

Self-closing serrated points. Nickel-plated steel. 6 1/2". Carded: No. 7337

D. SCREWDRIVER WITH INTERCHANGEABLE BLADES

Aluminum handle and chuck and 5 steel screwdriver blades sizes .040" through .100". Notched shank for greater torque. Storage base. Carded: No. 7070

E. PIN VISE SET

Includes double-ended pin vise, pin vise bit guard and 3 assorted drill bits. Carded: No. 7144

F. PARTPICKER

For small hard-to-handle pieces. Smooth one-handed action. Carded: No. 7380

G. No. 13 BLADE

Precision saw cutting. 5 blades. Carded: No. 213

H. No. 10 BLADE

For fine general cutting, carving, correcting stencils. Safety dispenser of 10 blades. Carded: No. 410

I. No. 22 BLADE

General shaping, whittling, trimming, removing excess flashing. Safety dispenser of 10 blades. Carded: No. 422

J. No. 11 BLADE

Extremely sharp point for fine angle cutting and stripping. Safety dispenser of 10 blades. Carded: No. 411

K. No. 1 KNIFE

Aluminum handle 4 7/8" long with No. 11 blade. Carded: No. 3201

L. No. 2 KNIFE

Aluminum handle 5" long with No. 22 blade. Carded: No. 3202

M. No. 6 KNIFE

Aluminum handle 4 3/4" long with No. 24 blade. Carded: No. 3206

N. No. 5 KNIFE

Plastic handle with metal blade lock, 4 1/4" long with No. 19 blade. Carded: No. 3205

O. MINIATURE NEEDLE RASPS

6 assorted rasps. For rough shaping of wood or plastic. 4 3/4" long. Vinyl storage pouch. No. 7366

P. MITRE BOX

Aluminum 3/4" x 1 3/4" capacity. 6" long. With two 45° and one 90° cutting slots. Carded: No. 7533

Q. EXTRA-FINE RAZOR SAW

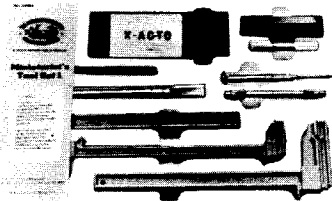
1 1/4" deep with cutting edge 5 1/2" long and 54 teeth per inch for extra fine precision. For use with No. 7533 mitre box. Carded: No. 7535

R. POWER SPRAYER

Push-button action sprays evenly. Includes a one ounce jar and propellant to spray on intricate or flat surfaces up to 16 ounces of liquid materials. Carded: No. 43561

MINIATURIST'S TOOL SET

Basic tools for assembling miniatures, models and working with small parts. 4 clamps, tweezer, pin vise with 3 bits, 2 sanders, screwdriver and No. 1 Knife in fitted tray. No. 43910



DELUXE MINIATURIST'S TOOL CHEST

Fitted wooden chest contains precision tools for assembling miniatures, models and working with small parts: razor saw blade, mitre box, 4 clamps, pin vise and 3 bits, Nos. 1 and 5 Knives, sanders and screwdriver. Boxed: No. 43911