

Collector's Series No. 40010



### Chippendale Six Drawer Chest

*Circa 1750-1790*

Thomas Chippendale, the best known and best advertised figure in the history of furniture making, was born about 1705. Few furniture designers become influential enough to have their names rather than a monarch's linked with current styles. One of these was Thomas Chippendale,

who operated one of the most fashionable shops in London from 1745 until his death in 1777, after which his son, known as Thomas Chippendale the younger, continued the business into the 1790's. During the years in which the Chippendale prevailed in America from about 1755-1785, practically all of our furniture of the better sort was made in this style. The style continued for some time after it was supplanted in England by new styles. This occurred because of the Revolutionary War which stopped business relations between the two countries for several years. The American cabinet makers, not having the new styles, continued in the Chippendale tradition.

This elegant six drawer chest with bracket feet is typical of those built by American cabinet makers of the mid to late 1700's. The traditional bracket feet and heavy top molding give this tall chest a clean, simple, stately line. It was a common practice to keep valuables and important papers in chests; each drawer had an individual lock and thus a brass plate with a key hole on each drawer.



## ASSEMBLY AND FINISHING INSTRUCTIONS



**AUTHENTIC REPRODUCTIONS IN MINIATURE**

The X-ACTO® House of Miniatures Collectors Series of furniture and accessories have all been carefully researched by specialists through major museum and library collections to assure the highest quality of authenticity in reproduction. Details are extraordinarily accurate to satisfy the most discriminating miniaturist.

Every item in the line is an authentic reproduction in miniature of regular-size furniture created by master craftsmen during the Colonial period, precision scaled, one inch to one foot.

All wood parts are machined to assure accurate and precise acceptance of each piece by another.

The rooms illustrated have been completed using standard X-ACTO® HOUSE OF MINIATURES products. All individual components are available.

For a complete catalog of the X-ACTO® HOUSE OF MINIATURES furniture line and accessories, write to:

**THE HOUSE OF MINIATURES**  
Customer Service - Catalog Dept.  
80 Newbridge Road  
Bergenfield, NJ 07621

# X-ACTO

# INTRODUCTION

## INSTRUCTIONS BEFORE STARTING

### before starting

A. Identify and account for each part by placing it on the **LAYOUT SHEET** (Page 2). This will indicate, at a glance, whether any parts are missing. **(See instructions at bottom of last sheet to order missing parts.)**

B. The **LAYOUT SHEET** contains a hardware check list. Use this to identify and account for all hardware that comes with the kit.

### sanding

**NOTE:** When using sandpaper, remember that the higher the grit number, the finer the finish.

A. One sanding method that has proved successful is the use of a sanding platform. Tape a sheet of sandpaper of the proper grit size to a hard flat surface such as a table top or wood block. Press down **lightly** and move the piece to be sanded **in the same direction** as the wood grain until the surface is smooth. **Take care not to round any edges or corners of the pieces.**

B. Before assembly, sand all the outer surfaces of individual parts with 220 grit sandpaper, or finer, paying particular attention to edges that will be exposed after assembly. After sanding each piece thoroughly, finish sanding with 400 grit sandpaper. Remember, your final stained finish will only be as smooth as the surface under it.

### hardware

A. All hardware to complete this kit is provided. Installation holes for all hardware must be made in accordance with the **ASSEMBLY** instructions that follow. Use the **DETAIL VIEWS** (Page 3) for hole locations.

B. Do not force handle into holes in handle plate. If a hole is too small, enlarge it slightly with a small knife or needle file.

C. Do not install brass hardware until final finishing has been done to avoid staining hardware.

### gluing

A. Glue should be applied in small amounts to both surfaces being joined. On end cuts, it may be necessary to apply a second coat of glue before joining the parts.

B. To ensure a tight fit, squeeze excess glue out of the joints by holding glued parts together with either clamps, rubber bands or by placing weights on the parts.

C. Wipe off excess glue promptly with a damp cloth.

D. Be sure a glued assembly has dried thoroughly before adding any more parts.

### tools and materials

A. The following tools **will be helpful** in constructing this kit:

1. Knife, X-ACTO No. 1, with Blade, X-ACTO No. 11
2. Tweezer, X-ACTO No. 36
3. One-inch Sander X-ACTO No. 41
4. Two-inch Sander, X-ACTO No. 42
5. Large Clamp, X-ACTO No. 4004
6. Small Clamp, X-ACTO No. 4003
7. Swiss Needle File Set, X-ACTO No. 60S
8. Professional Finishing Kit, X-ACTO No. 43801
9. X-ACTO Power Sprayer, X-ACTO No. 43561

B. The following materials **will be needed** to construct this kit:

1. Straight pins or artist's push pins
2. Rubber bands
3. Waxed paper
4. Sandpaper - 220, 320 and 400 grit
5. Steel wool - Grade 000
6. Masking tape
7. Ruler
8. Wood stain of your choice. **(See Note)**
9. Glaze stain of your choice. **(See Note)**
10. Lacquer or varnish of your choice. **(See Note)**
11. White glue, or any good wood glue. **(See Note)**
12. Sealer **(See Note)**
13. Small Artist's Brush

**NOTE:** The X-ACTO No. 43801 Professional Finishing Kit will produce the authentic Mahogany finish of the period in which the original furniture was produced. Base stain, glaze stain, lacquer or varnish, sealer and glue are required only if the X-ACTO Professional Finishing Kit is not used.

### pre-assembly

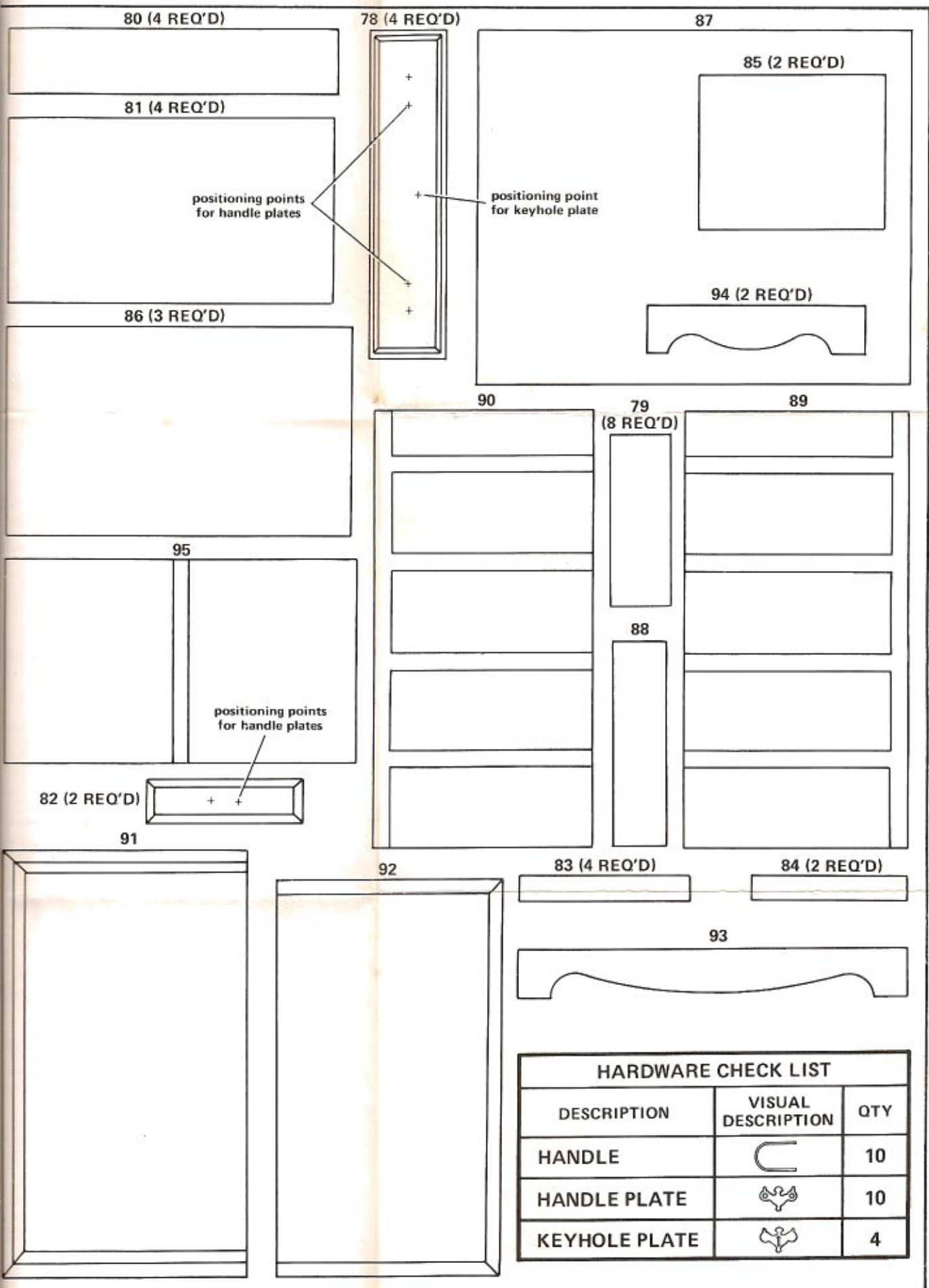
A. After sanding, check the proper location and fit of each part by assembling parts loosely, without gluing. Use the **DETAIL VIEWS** (Page 3) as a guide.




B. Parts can be held together to check proper fit with rubber bands or masking tape.

C. All parts for X-ACTO kits are made on precision milling machines, using rabbet and dado joints. Parts will fit together snugly with very little adjustments required. When adjustments are required, sand or file to fit.

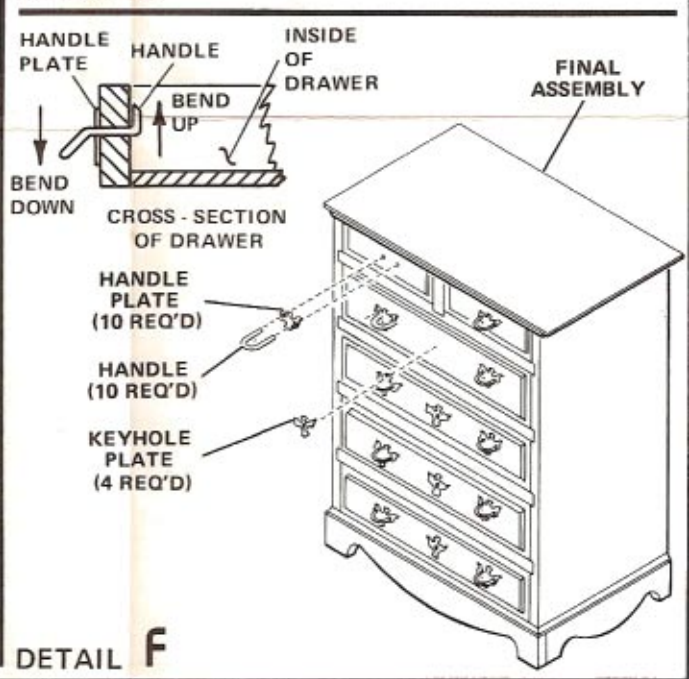
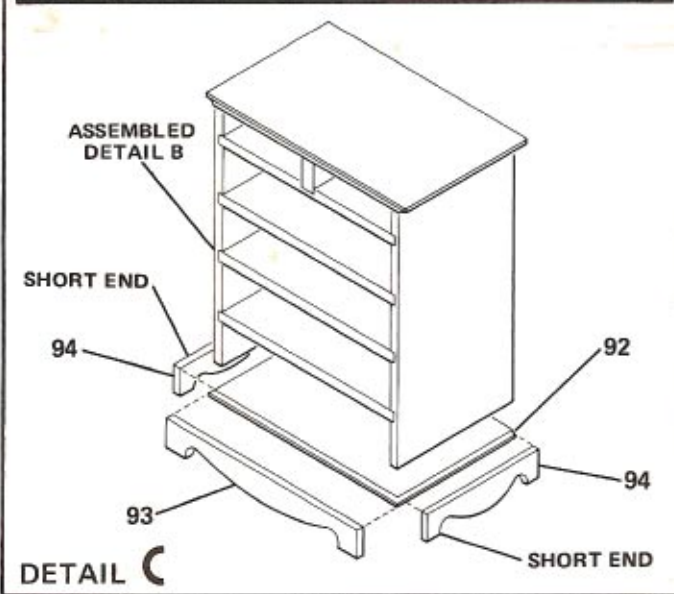
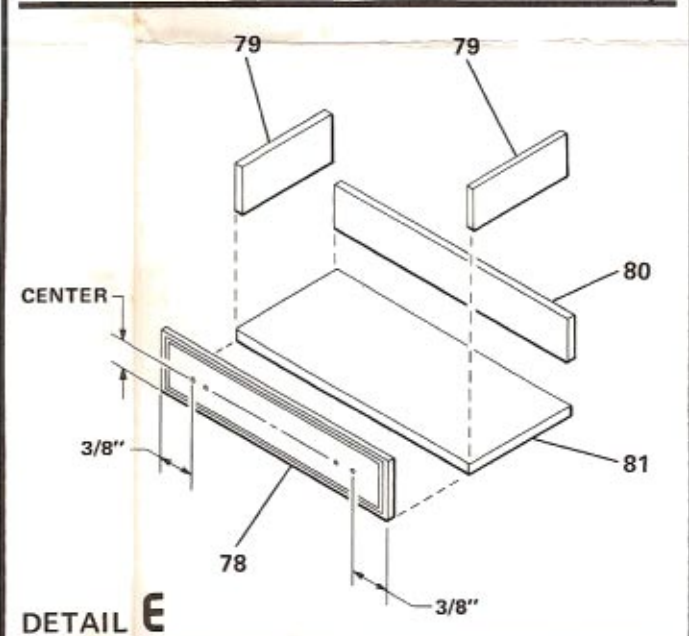
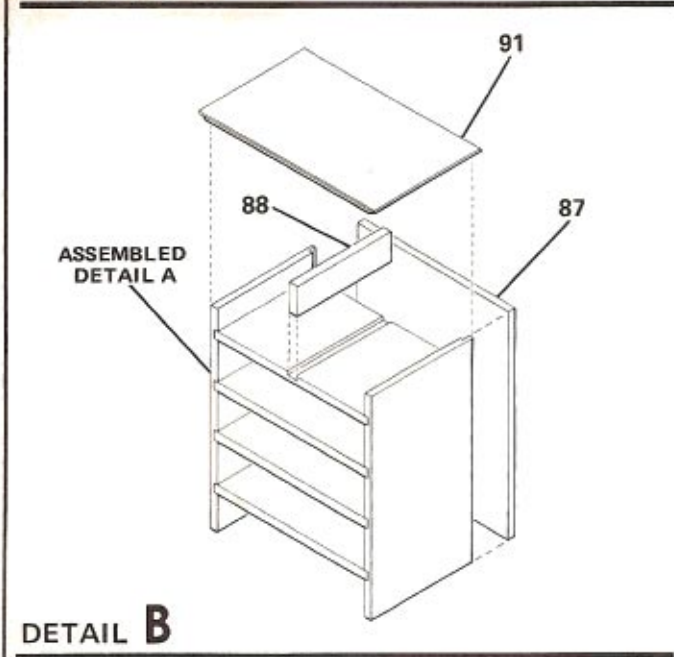
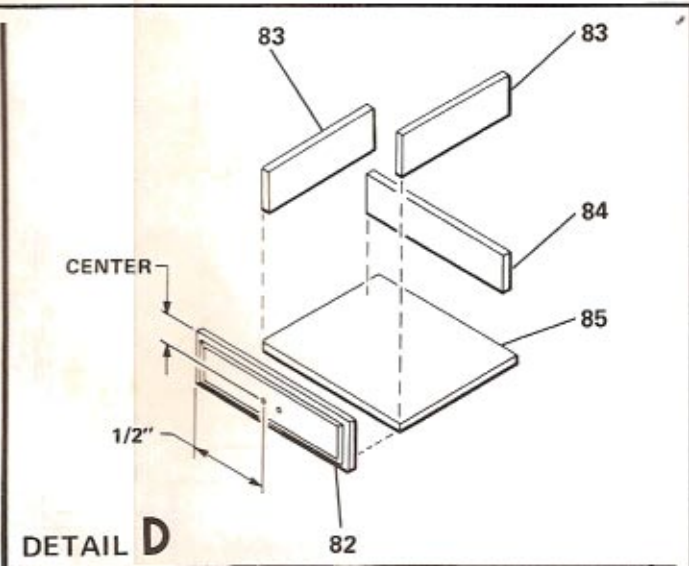
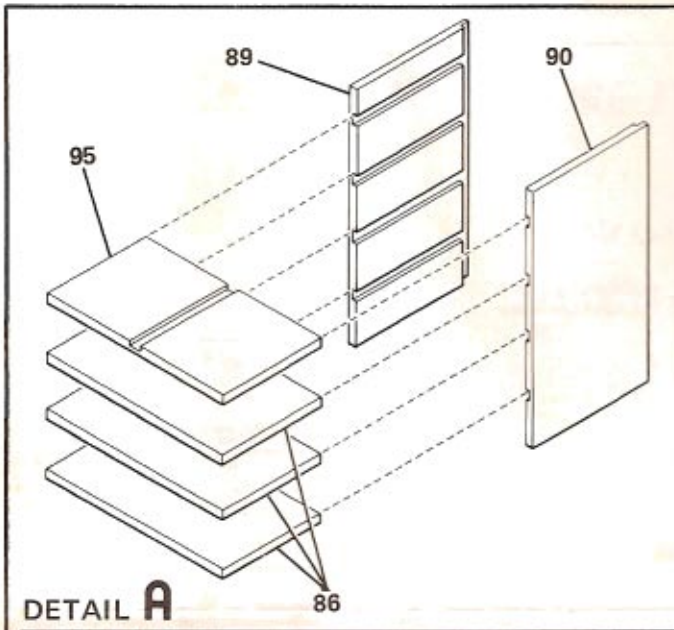


# LAYOUT SHEET



HARDWARE CHECK LIST		
DESCRIPTION	VISUAL DESCRIPTION	QTY
HANDLE		10
HANDLE PLATE		10
KEYHOLE PLATE		4

# DETAIL VIEWS





# ASSEMBLY

A. Before starting to assemble your kit, study all illustrations and instructions carefully. Be certain you understand each step before proceeding to the next one.

B. Follow the sequence of steps in the order they are presented. **Do not** skip steps or take any short cuts.

C. Refer to **ALIGNMENT** (Page 5) for patterns to be used to align the frame for gluing. When gluing parts together, use a flat toothpick or similar tool to apply a small amount of glue to the parts to be joined. Remove any excess glue promptly with a damp cloth. **Remember to let each glued assembly dry thoroughly before adding the next part.**

D. The Professional Finishing Kit, X-ACTO No. 43801, will produce the authentic Mahogany finish of this period and contains a **matching tinted glue**, which is recommended for assembly of this kit. The **tinted glue** is of furniture grade quality, equivalent to that used by professional cabinet makers and its use will avoid the appearance of a glue line at each joint.

E. Begin assembly of the **frame** (see **DETAIL A**, page 3) as follows:

1. Glue three shelves (part no. 86) and grooved shelf (part no. 95) into grooves in sides (part no.'s 89 and 90). Make sure that groove in part no. 95 is toward the **top**.

2. Align parts face down on alignment **pattern** (see **ALIGNMENT**, page 5). Press back (part no. 87) into position to square the assembly and align the parts. **Do not** glue the back in place.

3. Use clamps, or several rubber bands, to hold parts in place until glue sets. (Follow instructions for the glue being used for the proper setting time.)

F. Continue assembly of the frame (see **DETAIL B**, page 3) as follows:

1. Glue back (part no. 87) to assembled **DETAIL A**. Make sure that top and bottom edges of the back are flush with top and bottom edges of the sides.

2. Glue drawer separator (part no. 88) into groove in top shelf.

3. Glue the top (part no. 91) to the top edges of the back sides and drawer separator. Make sure that the rear edge of the top is flush with the rear edge of the back.

G. Assemble the **base** (see **DETAIL C**, page 3) to assembled **DETAIL B** as follows:

1. Glue two side supports (part no. 94) and front support (part no. 93) to bottom of base platform (part no. 92). Make sure that short ends of side supports are positioned toward the front.

2. Glue assembled **base** to bottom of frame, as shown. Make sure that the rear surfaces of the frame and the base are flush.

H. Assemble **small drawers** (see **DETAIL D**, page 3) as follows:

1. Using dimensions shown, locate a handle plate at the proper position on a drawer front (part no. 82). Mark the positions of the handle holes using a straight pin or an artist's push pin.

2. Using the straight pin or the push pin, make through-holes at the marked positions.

3. Repeat this procedure for the other **small** drawer front.

4. Glue two drawer sides (part no. 83) and drawer back (part no. 84) to drawer bottom (part no. 85), as shown.

5. Glue drawer front (part no. 82) to front edges of drawer sides, and bottom.

6. Repeat this procedure for other small drawers.

I. Assemble **large drawers** (see **DETAIL E**, page 3) as follows:

1. Using dimensions shown, locate a handle plate at the proper positions on a drawer front (part no. 78). Mark the positions of the four handle holes using a straight pin or an artist's push pin.

2. Using the straight pin or the push pin, make through-holes at the marked positions.

3. Repeat this procedure for the three other **large** drawer fronts.

4. Glue two drawer sides (part no. 79) and drawer back (part no. 80) to drawer bottom (part no. 81), as shown.

5. Glue drawer front (part no. 78) to front edges of drawer sides, and bottom.

6. Repeat this procedure for three other large drawers.

J. You have now completed assembly of your furniture, except for the installation of brass hardware. Now, refer to **FINAL FINISHING** for final finishing for instructions. **Then continue with ASSEMBLY paragraph K, for installation of brass hardware.**

**NOTE:** For authenticity, when finishing drawers, finish only the drawer fronts.

K. Install brass hardware on drawers (see **DETAIL F**, page 3) as follows:

1. Press a handle through the holes in a handle plate. Then apply a **small** amount of glue to the back of the handle plate and press the ends of the handle through the holes in a drawer front. Bend up the ends of the handle at the rear of the drawer front and bend down front of handles. Repeat this procedure for the remaining handles and handle plates, see **DETAIL F**.

2. Apply a **small** amount of glue to the back of the keyhole plate and locate in position on a large drawer front, half-way between the handles. Repeat this procedure for the remaining keyhole plates.

O. You have now completed assembly of your furniture. The completed piece should look like that shown in **DETAIL F**.

# FINAL FINISHING

In order to ensure that your piece is stained and highlighted in the tones of the period in which the original furniture was produced, we recommend that **X-ACTO Professional Finishing Kit, No. 43801** be used. The following method is used by professional furniture makers, and, if done properly, will result in museum quality.

A. After assembly is completed and the glue has set, **lightly** sand all joint areas to remove excess glue, using 220 grit sandpaper or finer. Moisten a cloth slightly and rub the dampened cloth over the entire wood surface to raise the grain. When all signs of moisture have gone from the wood, resand using a 320 to 400 grit sandpaper.

B. With a small brush, apply a light sealer coat to all edges and end grains. Use the side of the brush rather than the tip, in a wiping motion, so that the sealer does not touch other surfaces. Sealing the edge and end grains will prevent the subsequent stains from penetrating these areas as deeply, resulting in a more uniform stain on all parts.

**NOTE:** If the X-ACTO Finishing Kit (which contains a high quality sealer) is not used, thinned varnish or lacquer can be used for this purpose.

C. To match the color of furniture of this period apply **X-ACTO Base Stain** or mahogany or cherry stain of your choice with a brush or cloth over the entire wood surface. Immediately wipe off all excess stain leaving an even color on the surface. Allow to dry.

D. Apply a thin coat of **X-ACTO Sealer** or any commercial wood sealer over the base stain. This can be applied with either a brush or with the **X-ACTO Power Sprayer**. Make sure there are no drip marks present. Allow the sealer to dry for at least 6 hours.

X-ACTO POWER SPRAYER No. 43561 can be used to apply sealer, top coat, and paints for outstanding results. This spray ensures application of an even coat, especially on intricate and flat surfaces, and it is highly recommended for finishing your furniture.

E. Lightly go over all surfaces with Grade 000 steel wool until they are smooth to the touch.

F. **"Highlighting"** is a technique of creating light and dark areas and is accomplished by applying the **X-ACTO Glaze Stain** or any commercial glaze stain of your choice (Van Dyck Brown is the color recommended) and then toning by rubbing off the glaze in certain areas, exposing the base stain. In order to "highlight", apply a dark glaze with a brush or rag over the entire piece of furniture. As soon as you have applied this glaze, wipe off the excess. Blend tones of base color and glaze stain by using a piece of soft cloth. There should never be a sharp line of dark color to light color, but rather a smooth blending effect. Lighten the middle surface of the wood, but do not lighten the entire surface. The **"highlighting"** technique will produce museum quality miniature furniture.

G. After the glaze stain has dried for 24 hours, thoroughly and briskly wipe all surfaces with a clean cloth until you are satisfied with the appearance. Apply the **X-ACTO Top Coat** or a coat of lacquer or varnish, with a brush, an airbrush, or with the **X-ACTO Power Sprayer**. Apply two or more top coats with light buffing between coats using Grade 000 steel wool. After each steel wool rubbing make sure all steel wool "dust" is removed thoroughly. **(Continue with ASSEMBLY starting with paragraph K).**

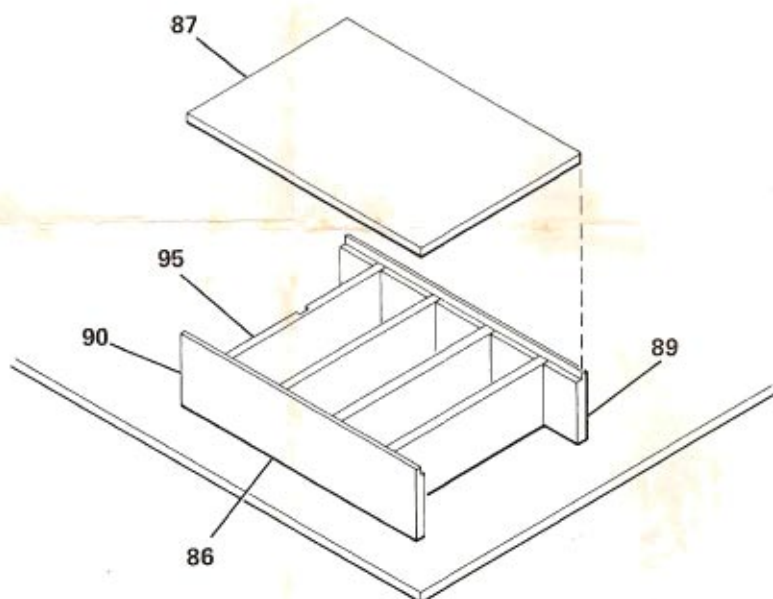
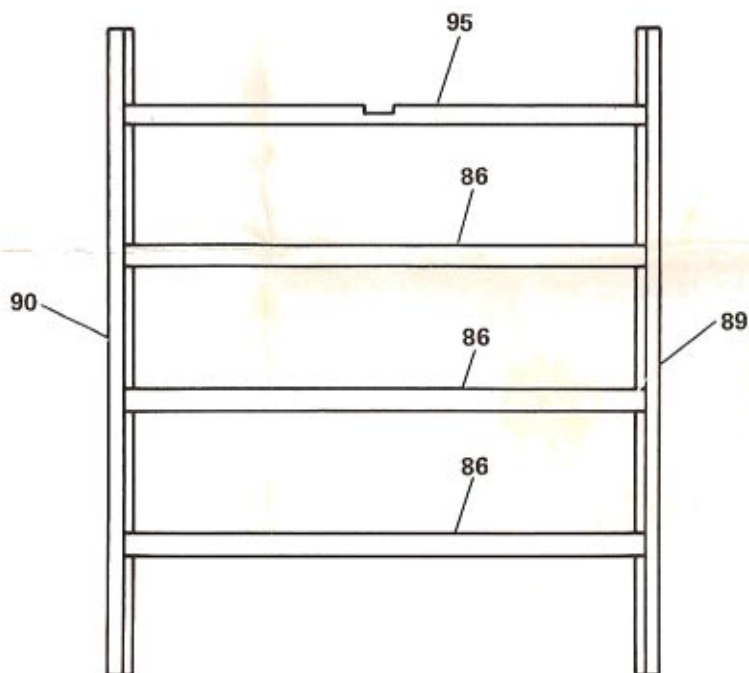


# ALIGNMENT

A. Tape this sheet to a smooth, flat surface. Then tape sheet of waxed paper to the pattern so that any excess glue at the joint will not stick to the pattern, making it difficult to remove the completed assembly.

B. Use the alignment pattern shown here to position the indicated parts properly and to hold them in alignment while drying.

## alignment pattern



Every effort has been made to insure the completeness of this KIT—however, should any parts be missing, write directly to:

**THE HOUSE OF MINIATURES**  
Customer Service - Parts Dept.  
2000 Craftmark Center  
Statesville, NC 28677-2000



AUTHENTIC REPRODUCTIONS IN MINIATURE

When ordering missing parts, please Print your name and address plainly. State the missing PART NO. (See LAYOUT SHEET, page 2), KIT NO. 40010 and the Kit Name, "CHIPPENDALE SIX DRAWER CHEST".